

عصر چهارشنبه  
۸۷/۱۱/۲۳

جمهوری اسلامی ایران  
وزارت علوم، تحقیقات و فناوری  
سازمان سنجش آموزش کشور

اگر دانشگاه اصلاح شود مملکت اصلاح می‌شود.  
امام خمینی (ره)



**آزمون ورودی**  
**دوره‌های کارشناسی ارشد ناپيوسته داخل**  
**سال ۱۳۸۸**

**مجموعه مهندسی عمران**  
**(کد ۱۲۶۴)**

نام و نام خانوادگی داوطلب:	شماره داوطلبی:
تعداد سؤال: ۱۳۰	مدت پاسخگویی: ۲۴۰ دقیقه

عنوان مواد امتحانی، تعداد و شماره سؤالات

ردیف	مواد امتحانی	تعداد سؤال	از شماره	تا شماره
۱	زبان عمومی و تخصصی	۳۰	۱	۳۰
۲	ریاضیات	۲۰	۳۱	۵۰
۳	مقاومت مصالح	۲۰	۵۱	۷۰
۴	تحلیل سازه‌های یک	۲۰	۷۱	۹۰
۵	مکانیک خاک	۲۰	۹۱	۱۱۰
۶	مکانیک سبالات	۲۰	۱۱۱	۱۳۰

**بهمن ماه سال ۱۳۸۷**

استفاده از ماشین حساب مجاز نمی‌باشد.

**PART A: Vocabulary**

**Directions:** Choose the word or phrase (1), (2), (3), or (4) that best completes each sentence. Then mark the correct choice on your answer sheet.

- 1- There was once a big difference between the two theoreticians, but now there is some ----- of opinions between them.  
1) conviction                      2) presumption                      3) partnership                      4) convergence
- 2- The treatment that used to be given for this illness is now out of -----.  
1) vogue                      2) prospect                      3) impact                      4) dimension
- 3- Talks are being held about who should have ----- over the island.  
1) sovereignty                      2) establishment                      3) sustainability                      4) implementation
- 4- The new law allows the members to make decisions by majority vote, rather than by -----.  
1) enormity                      2) proponent                      3) unanimity                      4) constitution
- 5- Now that English is used as the main language, the country's native language has been -----.  
1) contradicted                      2) marginalized                      3) violated                      4) differentiated
- 6- The responsibilities of the different people working in this department are clearly -----.  
1) attributed                      2) orientated                      3) interacted                      4) demarcated
- 7- The museum is planning to increase the amount of space ----- to modern art.  
1) endorsed                      2) allotted                      3) promoted                      4) displayed
- 8- Women's employment opportunities are often severely ----- by family commitments.  
1) embraced                      2) reprimanded                      3) conflicted                      4) constrained
- 9- Although these research topics are all related to linguistics, they can be divided into four ----- categories.  
1) integral                      2) adjacent                      3) discrete                      4) ultimate
- 10- A new treatment causes the disease to enter a(n) ----- phase, but the sufferer will never be fully cured.  
1) latent                      2) erosive                      3) focal                      4) underlying

**PART B: Grammar**

**Directions:** Read the following passage and decide which choice (1), (2), (3), or (4) best fits each space. Then mark the correct choice on your answer sheet.

Jupiter is the largest of the nine planets that travel around the Sun. Its orbit lies beyond those of Mars and the asteroid belt, at (11) ----- from the Sun of 778 million kilometers. It takes 11.86 Earth years (12) ----- one orbit around the Sun and rotates on its axis once every 9 hours 55 minutes 29 seconds.

From Earth, Jupiter appears to the naked eye as a bright star-like point, second (13) ----- Venus in brilliance. Astronomers of ancient times named Jupiter in honour of the ruler of the gods worshipped in the Greco-Roman world, though they had no idea (14) ----- the name actually was. In fact, Jupiter is larger than all the other planets put together. Its diameter is 11 times (15) ----- the Earth, and it could contain more than 1500 Earths within its volume. Its mass is 318 times that of the Earth, but because it is so large, Jupiter is remarkably light, its density being only slightly greater than that of water.

- 11- 1) an average distance    2) an average distant    3) a distant average    4) a distance average
- 12- 1) completing    2) when it completes    3) to complete    4) as long as it completes
- 13- 1) to only    2) only to    3) only of    4) of only
- 14- 1) if suitable    2) how suitable    3) of suitability    4) about suitability
- 15- 1) than    2) those of    3) that of    4) much more than

**PART C: Reading Comprehension**

**Directions:** Read the following passage and choose the best choice (1), (2), (3), or (4). Then mark it on your answer sheet.

**Dredged Material Cell Will Experience Extraordinary Settlement**

A dredged material containment cell is currently being designed to abut the east side of the Craney Island Dredged Material Management Area (CIDMMA), which is located along the Elizabeth River in Portsmouth, Virginia. The greatest challenge is that engineers expect settlements of as much as 6.1 m. A new marine terminal will be built on the dredged material cell once the ground level has been stabilized.

Japan's Kansai International Airport was constructed in 1994 atop a man-made island that was expected to settle up to 12 m over the course of 50 years; by 2001 it had already settled by an average of 11.5 m. Seeking to avoid the same kinds of issues, the engineers working on the Craney Island project are proceeding carefully, counting on traditional surcharging to facilitate settlement before construction begins.

Three dikes will be added to the CIDMMA to create the new cell. The east side of the cell will measure about 2,591 m long and will accommodate a wharf and 22 container cranes for unloading ships. Dikes 762 m long will form the north and south sides. A 18.3 m deep navigation channel will run along the east side of the new cell, enabling ships to unload their goods directly onto a wharf that will form part of the marine terminal. The terminal will be accessible by road and rail, and the rail yard there will have the capacity to transport 1 million containers per year.

The new cell will cover 243 ha and be filled with dredged material from the surrounding waterways. The engineers are obtaining information about dredging projects in the harbor to determine where the soil from those projects might be used to fill the cell. Coarse material or sand will be put in the more critical areas and fine silty materials in the less critical areas. Engineering the fill from the beginning will help the engineers control future settlement.

Once the cell has been filled with dredged material, the site will probably be surcharged with up to 9 m of earth. When the maximum settlement has been reached, the excess earth will be removed and the site paved over. The method is simple, but is usually the least expensive option. The surcharge layer could remain in place for up to a year.

Initially a concrete weir system with gatehouses will act as an outlet structure for overflow water as the dredged material settles into the cell; gravity will push the water out of the weir, and the quality of the water will be monitored and kept in compliance with environmental quality standards. Once the cell is full of dredged material, the remaining excess water will probably be removed using wick drains, often called strip drains. The dredged material will be placed atop 30.5 m of subsurface clay saturated with water. The engineers plan to place the drains, which act like large corrugated straws, anywhere from 2 to 3.5 m apart. The drains will offer a path by which the water can rise to the surface, where a sand drainage blanket will collect the water and allow it to evaporate. River currents and the 0.8 m tide will not impede these drainage efforts.

Because of the scope of the project and the extent of the settlement that has to take place before the concentrated loads of the shipping containers can be imposed on the marine terminal, internal dikes will separate phases of the construction. Current design plans stipulate that the cell be constructed in two to four phases; sections of the wharf will be constructed alongside the completed phases.

The rock and sand dikes of the addition will be constructed after the first deep cut is made for the navigation channel alongside the eastern side of the cell. The navigation channel will be dredged to a depth of 27.5 m, and the dredged material placed in the CIDMMA. The east dike will then be built at a depth of 27.5 m and backfilled so that the 18.3 m deep navigation channel can run alongside it. The engineers expect that local sand will be used for the dikes and that the 305 mm diameter rock for the project will be shipped in. The CIDMMA currently covers 5.2 km<sup>2</sup> and holds more than 172 m<sup>3</sup> of dredged material. The 243 ha cell will cost \$2.2 billion and take 25 years to construct.

- 16- **It can be understood from the context of the article that author wants to use the Kansai Airport design:**
- 1) as a blueprint for constructing the new containment cell.
  - 2) because it approximates the dredging requirements for the new terminal.
  - 3) To create an international standard for landfill settlement.
  - 4) to demonstrate how the rate of settlement can be underestimated.
- 17- **The new containment cell is predicted to be completed in:**
- 1) 1 year
  - 2) 50 years
  - 3) 25 years
  - 4) 5 years
- 18- **Fill for the new cell will be primarily composed of:**
- 1) reinforced concrete.
  - 2) excess earth from regional construction sites.
  - 3) material dredged from nearby waterways.
  - 4) damaged shipping containers
- 19- **In order to allow construction of the wharf before the project is completed:**
- 1) the cell will be constructed in stages
  - 2) it will be built upon the rock and sand dikes used to contain the cell
  - 3) it will be constructed on pylons running alongside the cell
  - 4) concrete weir system will be built to support the wharf
- 20- **One way the engineers hope to control settlement is:**
- 1) pouring a concrete foundation at the base of the cell.
  - 2) to use coarse material or sand in critical areas and silty material in less critical areas.
  - 3) by draining water quickly using the navigation channel to be built alongside the cell.
  - 4) to place a surcharge of earth over the dredged material.
- 21- **From the context of the article, it is understood that the purpose of the surcharge layer is:**
- 1) to use as a base for the wick drains.
  - 2) to weigh down the dredged material and speed up settlement.
  - 3) to have an inexpensive temporary surface on which to build.
  - 4) to provide a strong surface over which to pave.
- 22- **What will be the main function of the project to be built on the newly created land?**
- 1) To provide a terminal for container ships to unload.
  - 2) To provide a passenger terminal for cruise ships and passenger trains
  - 3) To provide a base of operations for expansion of the CIDMMA.
  - 4) To provide a terminal for freight trains to bring goods to ships.
- 23- **The strip drains:**
- 1) direct water out of the gates of the concrete weir.
  - 2) divide the cell into stages so that construction can begin before the project is complete.
  - 3) draw water to a sandy layer at the top of the dredged material so that it can evaporate
  - 4) allow the dredged material to be placed atop a saturated clay subsurface.
- 24- **Which component of the development do we know will probably NOT be found locally?**
- 1) Sand that forms part of the dikes.
  - 2) Surcharge earth that will cover the dredged material.
  - 3) Material recovered in dredging operations.
  - 4) Large rocks that form part of the dikes.
- 25- **Why is it important for settlement to stabilize before the terminal is built?**
- 1) Because the dikes will also destabilize if the fill is not stable.
  - 2) Because the shipping containers on the site will be heavy and may themselves cause settlement.
  - 3) Because the river and tides in the area may undermine the newly created land and cause it to collapse.
  - 4) Because there will be a deep navigation channel running alongside the cell.

**PART D:**

*In the 5 following questions, choose the answer which best completes technically each individual item:*

- 26- Other formulae for calculating the fundamental periods of chimneys have been proposed, such as that by Housner for tapered cantilevers. This work also presents formulae for the second and third ----- periods.  
 1) suitable                      2) mode                              3) useful                              4) cylindrical
- 27- A description of the response spectrum analysis of eight reinforced concrete chimneys up to 250m in height has been given by Rumman who used seven earthquake inputs and a structural ----- of 5 percent of critical.  
 1) equivalent                      2) moment                              3) damping                              4) force
- 28- One of the main preoccupations is to ensure that seismic ----- will form in the chosen places of bridges, i.e. generally in visible portions of the piers in order to facilitate post – earthquake repairs.  
 1) forces                              2) hardening                              3) ductility                              4) hinges
- 29- For important bridges, dynamic analysis is most desirable, and where foundations are constructed in, or driven through, ----- soils a dynamic response analysis of the site may be considered essential.  
 1) softer                              2) affected                              3) critical                              4) differential
- 30- The horizontal interaction stresses between the soil and the foundation are arguably problematical than the vertical stresses, as comparatively little is known about ----- seismic passive pressures and the effect of seismic active pressure in different foundation situations.  
 1) suitable                              2) design                              3) guidance                              4) allowable

WWW.OMRONPAYKH.COM

۳۱- فرض کنید  $y = \varphi(t)$  جواب مسئله مقدار اولیه  $y(0) = 0, y'(0) = 1$ ،  $y'' - 2ty' + 2y = 0$ ،  $(1-t^2)y'' - 2ty' + 2y = 0$  باشد. اگر  $Y$  تبدیل لاپلاس  $y$  باشد، در چه معادله دیفرانسیلی صدق می‌کند؟

(۱)  $sY'' + Y' - (s^2 + 1)Y = 1$  (۲)  $sY'' + s^2Y' - (s^2 + 2)Y = 1$

(۳)  $s^2Y'' + sY' - s^2Y = -1$  (۴)  $s^2Y'' + 2sY' - (s^2 + 2)Y = -1$

۳۲- تابع  $L_i$  که انتگرال لگاریتمی نامیده می‌شود، به صورت زیر تعریف می‌شود:

$$L_i(x) = \int_1^x \frac{dt}{\ln t}, \quad x \geq 2$$

انتگرال  $\int_c^x \frac{e^{2t}}{t-1} dt$  که در آن  $c = 1 + \frac{\ln 2}{2}$ ، بر حسب تابع  $L_i$ ، برابر کدام است؟

(۱)  $eL_i(e^{2x-1})$  (۲)  $e^2L_i(e^{x-1})$  (۳)  $eL_i(e^{x-1})$  (۴)  $e^2L_i(e^{2x-2})$

۳۳- هر گاه  $C$  پاره‌خطی از نقطه  $(0, 1, -1)$  تا  $(1, 2, 1)$  بوده، آنگاه  $\int_C (ydx + zdy - xdz)$  برابر است با:

(۱)  $\frac{1}{4}$  (۲)  $3$  (۳)  $\frac{2}{3}$  (۴)  $\frac{1}{3}$

۳۴- هر گاه  $x^2 - y^2 = 1$ ، آنگاه مقدار  $y''$  برابر است با:

(۱)  $xy^2$  (۲)  $\frac{x^2+1}{y^5}$  (۳)  $-\frac{2x}{y^5}$  (۴)  $\frac{y^2}{x^5}$

۳۵- طول قوس منحنی  $y = \frac{x^2}{8} + \frac{1}{2x^2}$  از  $x = 1$  تا  $x = 2$  برابر است با:

(۱)  $15$  (۲)  $\frac{33}{16}$  (۳)  $\frac{25}{3}$  (۴)  $21$

۳۶- کدام یک، جواب خصوصی معادله  $y'' + 4y = 3 \sin 2x + 2 \sinh x$  می‌باشد؟

(۱)  $-\frac{3}{4}x \cos 2x + \frac{2}{5} \sinh x$  (۲)  $\frac{3}{4}x \sin 2x - \frac{2}{5} \sinh x$  (۳)  $\frac{3}{4}x \sin 2x + \frac{2}{5} \cosh x$  (۴)  $-\frac{3}{4}x \cos 2x + \frac{2}{5} \cosh x$

۳۷- به ازای چه مقادیر  $a$  و  $b$  بردارهای  $\begin{pmatrix} 1 \\ 0 \\ -1 \end{pmatrix}$  و  $\begin{pmatrix} 1 \\ 1 \\ 1 \end{pmatrix}$  بردارهای ویژه ماتریس  $\begin{pmatrix} 1 & 1 & 1 \\ a & b & 1 \\ 1 & 1 & 1 \end{pmatrix}$  می‌باشد؟

(۱)  $a = 1, b = 1$  (۲)  $a = -1, b = -1$  (۳)  $a = -1, b = 1$  (۴)  $a = 1, b = -1$

۳۸- دو جواب مستقل برای معادله دیفرانسیل  $2x^2y'' + 2xy' + x^2y = 0, x > 0$ ، کدام است؟

(۱)  $y_1(x) = x^{\frac{1}{2}} \sum_{n=0}^{\infty} a_n x^n, y_2(x) = \sum_{n=0}^{\infty} b_n x^n$  (۲)  $y_1(x) = x^{-\frac{1}{2}} \sum_{n=0}^{\infty} a_n x^n, y_2(x) = x^{-\frac{1}{2}} \sum_{n=0}^{\infty} b_n x^n$

(۳)  $y_1(x) = x^{\frac{1}{2}} \sum_{n=0}^{\infty} a_n x^n, y_2(x) = \sum_{n=0}^{\infty} b_n x^n$  (۴)  $y_1(x) = x^{-\frac{1}{2}} \sum_{n=0}^{\infty} a_n x^n, y_2(x) = x^{-\frac{1}{2}} \sum_{n=0}^{\infty} b_n x^n$

۳۹- جواب مسئله مقدار اولیه  $y'(0) = 2, y(0) = 1, y'y'' = 2$  در نقطه  $x = 3$  برابر است با:

(۱)  $\frac{17}{3}$  (۲)  $\frac{25}{3}$  (۳)  $\frac{31}{3}$  (۴)  $\frac{25}{3}$

۴۰- در مورد تعداد جواب‌های معادله  $x^2 = x \sin x + \cos x$  می‌توان گفت:

(۱) دقیقاً یک جواب دارد. (۲) جوابی ندارد. (۳) بیش از دو جواب دارد. (۴) دقیقاً دو جواب دارد.

۴۱- جواب عمومی معادله دیفرانسیل  $(2xy^2 + 2y) + (2x^2y + 2x)y' = 0$  کدام است؟

(۱)  $x^2y^2 + 2xy = C$  (۲)  $x^2y + 2xy^2 = C$  (۳)  $xy^2 + 2x^2y = C$  (۴)  $x^2y^2 + 2xy^2 = C$

۴۲- معادله  $|z-1|+|z+1|=1$  در صفحه مختلط نمایش دهنده چگونه است؟

- (۱) خط (۲) مجموعه تهی (۳) بیضی (۴) سهمی

۴۳- با استفاده از قضیه دیورژانس، مقدار انتگرال رویه‌ای  $\iint_S (x^2+y^2) dS$  که در آن  $S$  کره  $x^2+y^2+z^2=a^2$  می‌باشد، کدام است؟

- (۱)  $2\pi a^4$  (۲)  $\frac{4}{3}\pi a^4$  (۳)  $\frac{4}{3}\pi a^3$  (۴)  $2\pi a^4$

۴۴- مقدار انتگرال  $\int_C (x-y^2)dx + (y^2+x^2)dy$  که در آن  $C$  مرز یک چهارم قرص  $x^2+y^2 \leq a^2$ ،  $x \geq 0$ ،  $y \geq 0$  در جهت خلاف عقربه‌های ساعت می‌باشد، برابر با کدام مورد است؟

- (۱)  $\frac{1}{2}\pi a^2$  (۲)  $\frac{2}{\pi}a^4$  (۳)  $\frac{2}{\pi}a^2$  (۴)  $\frac{2}{\pi}a^4$

۴۵- مساحت ناحیه در صفحه محصور به سهمی‌های  $y=x^2$ ،  $y=2x^2$ ،  $x=y^2$  و  $x=2y^2$  برابر با کدام مورد می‌باشد؟

- (۱)  $\frac{1}{9}$  (۲)  $\frac{1}{3}$  (۳)  $\frac{1}{4}$  (۴)  $\frac{1}{6}$

۴۶- مقدار انتگرال  $\iiint_R (x^2+y^2) dx dy dz$  که در آن  $R$  ناحیه داخل کره  $x^2+y^2+z^2=fa^2$  و خارج استوانه  $x^2+y^2=a^2$  می‌باشد،

کدام مورد است؟

- (۱)  $\frac{11}{5}\sqrt{3}\pi a^5$  (۲)  $\frac{44}{15}\sqrt{3}\pi a^5$  (۳)  $\frac{44}{5}\sqrt{3}\pi a^5$  (۴)  $\frac{22}{5}\sqrt{3}\pi a^5$

۴۷- مجموع سری  $\sum_{n=0}^{\infty} \frac{(-1)^n (n+1) X^{n+1}}{n!}$  برابر است با:

- (۱)  $e^{-X} - Xe^{-X}$  (۲)  $Xe^X + X^2e^X$  (۳)  $e^X + Xe^X$  (۴)  $Xe^{-X} - X^2e^{-X}$

۴۸- اگر  $A = \int_0^1 \frac{e^t}{t+1} dt$  مقدار انتگرال  $\int_1^2 \frac{e^{-t}}{t-3} dt$  بر حسب  $A$  برابر است با:

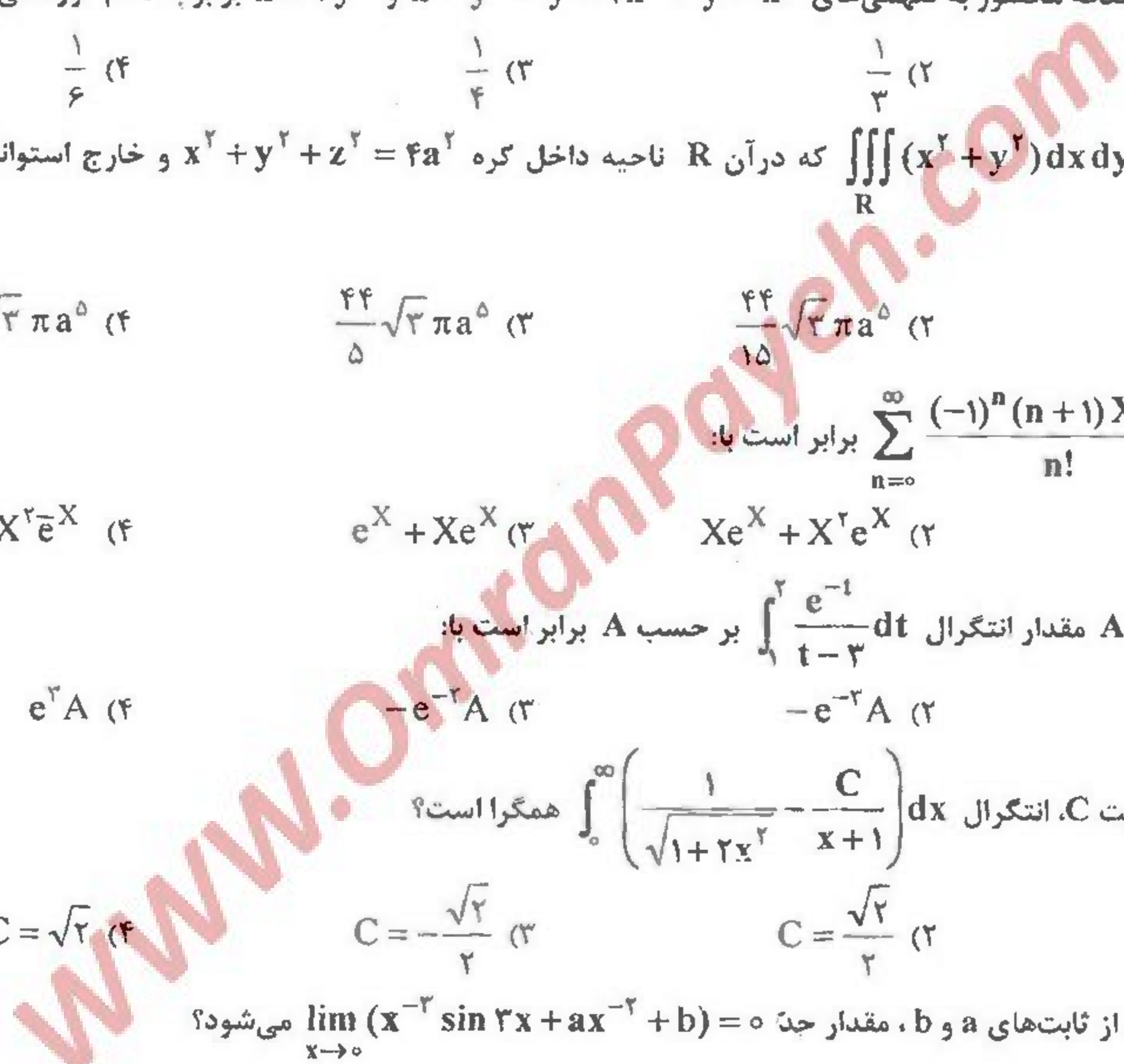
- (۱)  $e^2 A$  (۲)  $-e^{-2} A$  (۳)  $-e^{-2} A$  (۴)  $e^2 A$

۴۹- به ازای چه مقدار ثابت  $C$ ، انتگرال  $\int_0^{\infty} \left( \frac{1}{\sqrt{1+2x^2}} - \frac{C}{x+1} \right) dx$  همگرا است؟

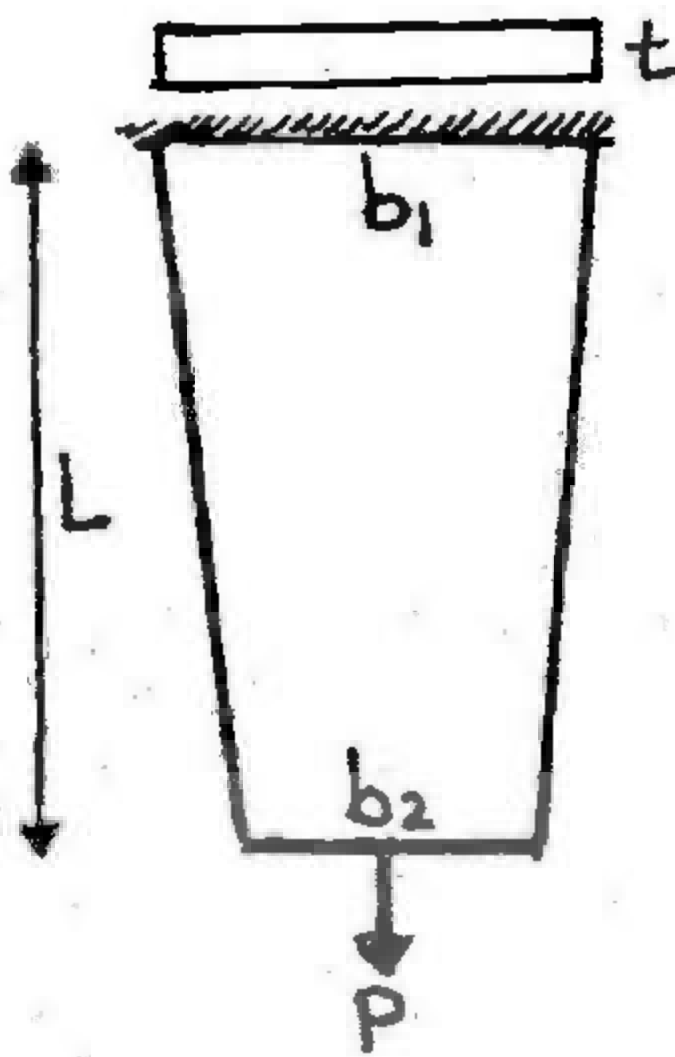
- (۱)  $C = \frac{1}{2}$  (۲)  $C = \frac{\sqrt{2}}{2}$  (۳)  $C = -\frac{\sqrt{2}}{2}$  (۴)  $C = \sqrt{2}$

۵۰- به ازای چه مقادیری از ثابت‌های  $a$  و  $b$ ، مقدار حد  $\lim_{x \rightarrow 0} (x^{-2} \sin 2x + ax^{-2} + b) = 0$  می‌شود؟

- (۱)  $a=0, b=\frac{9}{2}$  (۲)  $a=-3, b=-\frac{9}{2}$  (۳)  $a=-3, b=\frac{9}{2}$  (۴)  $a=-3, b=\frac{3}{2}$



۵۱- یک ورق فولادی با ضریب ارتجاعی  $E$ ، ضریب پواسون  $\nu$ ، ضخامت ثابت  $t$  و عرض متغیر نشان داده شده در شکل که از وزن آن صرفنظر گردیده است تحت اثر نیروی محوری  $P$  قرار گرفته است. تغییر حجم آن چقدر است؟



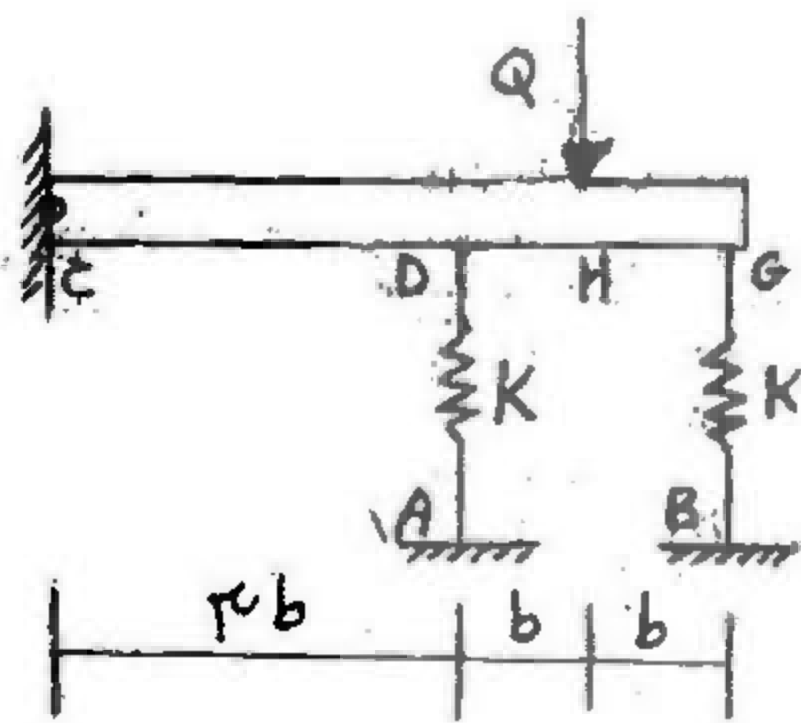
$$\frac{PL}{E}(1-\nu) \quad (1)$$

$$\frac{PL}{E}(1-\nu) \quad (2)$$

$$\frac{PL}{2E}(1-\nu) \quad (3)$$

$$\frac{(b_1 + b_2)PL}{2Et}(1-\nu) \quad (4)$$

۵۲- در سازه شکل زیر نسبت  $Q$  به خیز  $H$  را حساب کنید. تیر  $CG$  صلب است.



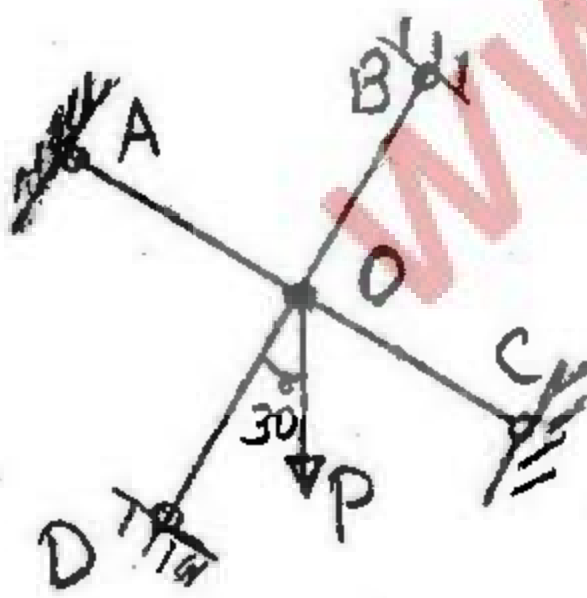
$$\frac{17}{8}K \quad (1)$$

$$\frac{18}{8}K \quad (2)$$

$$\frac{16}{8}K \quad (3)$$

$$\frac{15}{8}K \quad (4)$$

۵۳- چهار میله هم صفحه  $OA$ ،  $OB$ ،  $OC$  و  $OD$  هر کدام به طول  $L$ ، سطح مقطع  $A$  و مدول الاستیسیته  $E$  و در  $O$  به هم مفصل شده‌اند. زاویه‌های تشکیل شده در  $O$  قائمه‌اند. تغییر مکان  $O$  برابر است با:



$$(1) \quad O \text{ فقط در امتداد قائم به اندازه } \frac{PL}{AE} \left( \frac{1}{2} + \frac{\sqrt{3}}{2} \right) \text{ حرکت می کند.}$$

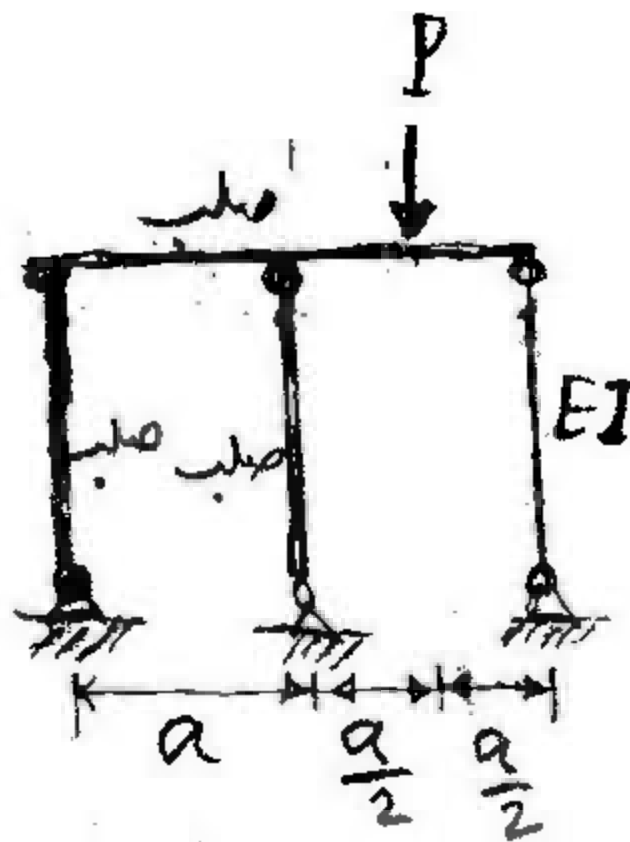
$$(2) \quad O \text{ فقط در امتداد قائم به مقدار } \frac{PL}{2AE} \text{ حرکت می کند.}$$

$$(3) \quad O \text{ در امتداد قائم به مقدار } \frac{PL}{2AE} \text{ و در امتداد افقی به مقدار } \frac{PL}{4AE} \text{ حرکت می کند.}$$

$$(4) \quad O \text{ در امتداد قائم به اندازه } \frac{PL}{AE} \left( \frac{1}{2} + \frac{\sqrt{3}}{2} \right) \text{ و در امتداد افقی به مقدار } \frac{PL}{AE\sqrt{3}} \left( \frac{1}{2} + \frac{\sqrt{3}}{2} \right) \text{ حرکت می کند.}$$



۵۴- در شکل روبه‌رو میله افقی و دو میله سمت چپ صلب می‌باشند. میله‌ی سمت راست دارای طول  $L$  و سطح مقطع  $A$  و مدول ارتجاعی  $E$  می‌باشد. نیروی وارد بدان چقدر است؟



$$\frac{PL}{AE} \quad (1)$$

$$\text{صفر} \quad (2)$$

$$\frac{PL}{2AE} \quad (3)$$

$$\frac{PL}{3AE} \quad (4)$$

۵۵- دستگاهی توسط سه رشته سیم متشابه به طول هر یک  $l$  توسط قلاب مشترکی از سقف آویزان است. امتداد هر سیم با سقف زاویه  $45^\circ$  ساخته و تصاویر سه سیم بر روی سقف زاویه  $120^\circ$  با یکدیگر دارند. سطح مقطع سیم برابر  $A$  و مدول ارتجاعی آن  $E$  است. اگر وزن دستگاه  $W$  باشد، جابه‌جایی قائم قلاب (محل تقارب سه سیم) چقدر است؟ (سه رشته سیم هرمی ساخته‌اند که قاعده آن مثلث متساوی‌الاضلاع در تراز سقف می‌باشد و بار به رأس آن وارد می‌شود).

$$\frac{\sqrt{2} Pl}{2 EA} \quad (4)$$

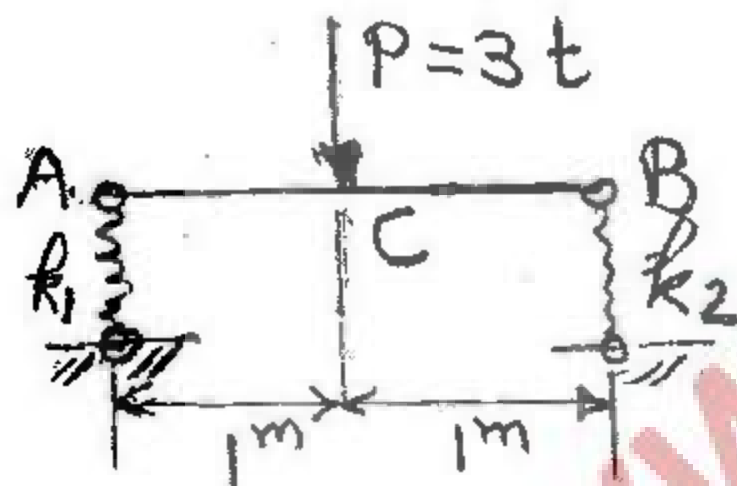
$$\frac{\sqrt{2} Pl}{EA} \quad (3)$$

$$\frac{2 Pl}{\sqrt{3} EA} \quad (2)$$

$$\frac{2 Pl}{3 EA} \quad (1)$$

۵۶- پیر شکل روبه‌رو روی دو فنر  $F_1$  و  $F_2$  قرار گرفته است به طوری که  $k_1 = 2 \frac{t}{cm}$  و  $k_2 = 1 \frac{t}{cm}$  است. اگر تغییر مکان وسط تیری بر روی دو

تکیه‌گاه ساده مساوی  $\frac{PL^3}{48EI}$  باشد، تغییر مکان  $C$  وسط تیر نشان داده شده چند سانتی‌متر است؟  $EI = 10^9 \text{ kgcm}^2$



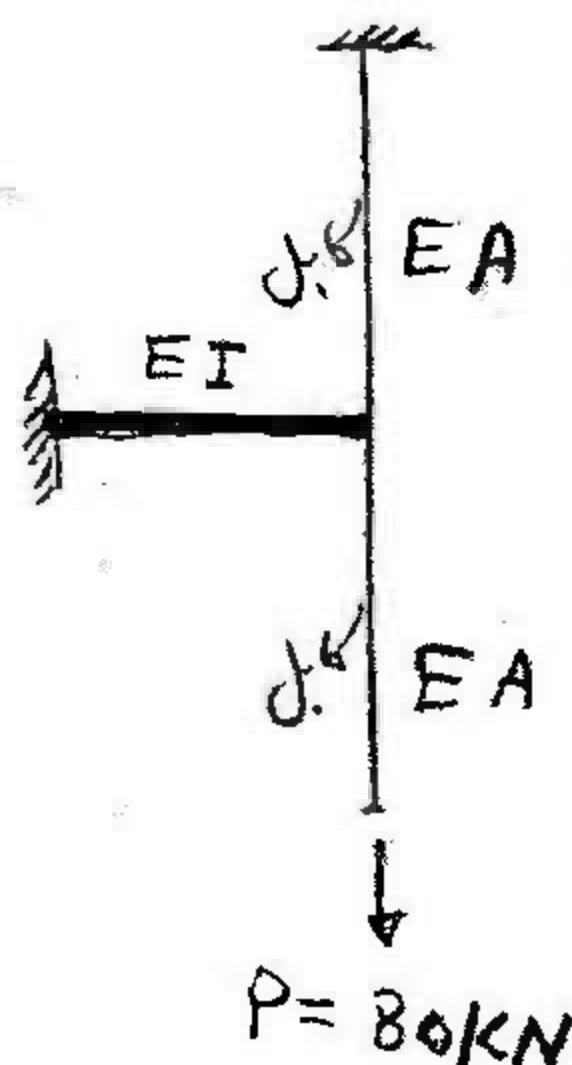
$$1/25 \quad (1)$$

$$1/125 \quad (2)$$

$$1/625 \quad (3)$$

$$2/25 \quad (4)$$

۵۷- بار  $P = 80 \text{ kN}$  به انتهای کابل به طول ۲ متر مطابق شکل وارد می‌شود. انتهای کابل مزبور به انتهای یک تیر کنسول به طول یک متر بسته شده و همچنین کابل دیگری به طول ۲ متر نیز انتهای تیر را به سقف بسته است.  $E = 200 \text{ GPa}$  و ممان اینرسی تیر برابر  $100000 \text{ cm}^4$  و سطح مقطع هر کابل برابر  $6 \text{ cm}^2$  می‌باشد. مقدار جابه‌جایی قائم محل اعمال بار  $P = 80 \text{ kN}$  بر حسب  $\text{mm}$  چقدر است؟



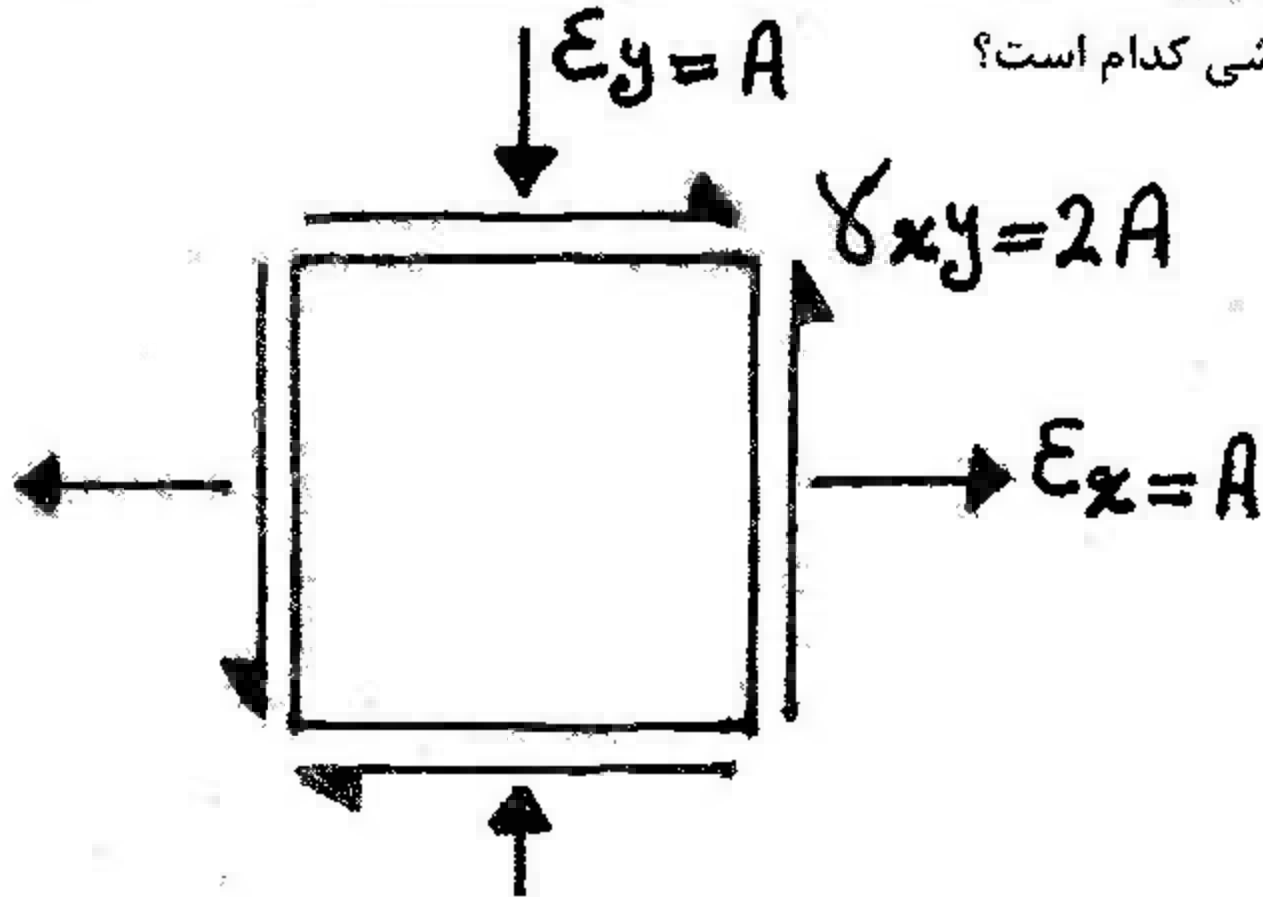
$$2 \quad (1)$$

$$1 \quad (2)$$

$$4 \quad (3)$$

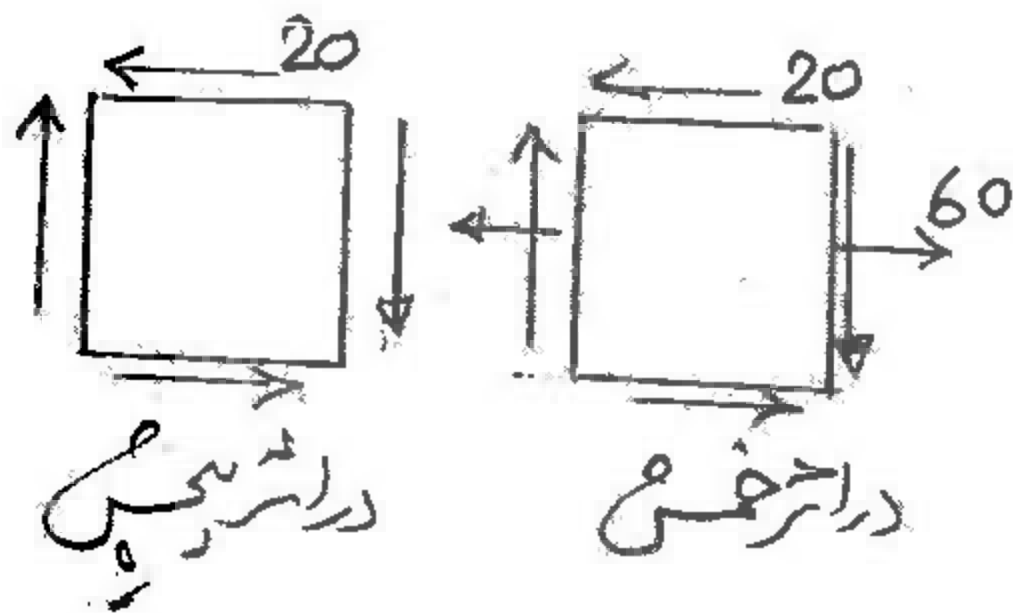
$$\frac{4}{9} \quad (4)$$

۵۸- در المان نشان داده شده، در حالت تنجش مسطح، حداکثر کرنش (تنجش) برشی کدام است؟



- (۱)  $\sqrt{2}A$
- (۲)  $2A$
- (۳)  $2\sqrt{2}A$
- (۴)  $2\sqrt{3}A$

۵۹- در یک نقطه از سازه‌ای در اثر پیچش تنش برشی  $20 \text{ MPa}$  و در اثر خمش تنش برشی  $20 \text{ MPa}$  و تنش عمودی  $60 \text{ MPa}$  مطابق شکل موجود است. بزرگترین تنش برشی و تنش‌های اصلی بر حسب  $\text{MPa}$  چقدر است؟



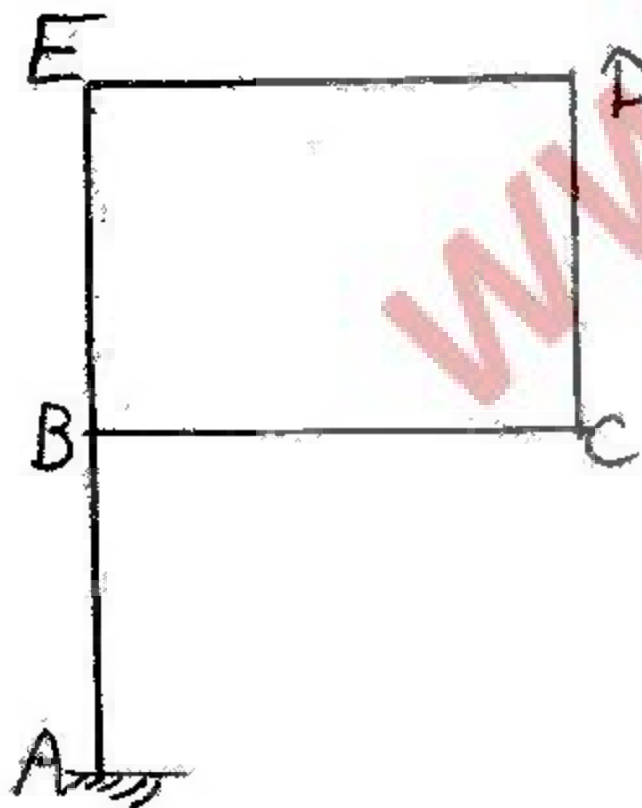
- (۱)  $40$  برشی و  $40$  کششی و  $40$  فشاری
- (۲)  $40$  برشی و  $20$  کششی و فشاری
- (۳)  $40$  برشی و  $60$  کششی و  $20$  فشاری
- (۴)  $50$  برشی و  $80$  کششی و  $20$  فشاری

۶۰- میله‌ای با مقطع قوطی زیر اثر پیچش به مقدار  $2 \text{ t.m}$  قرار گرفته است. قوطی دارای ضلع خارجی  $20/6 \text{ cm}$  و ضلع داخلی  $19/4 \text{ cm}$  است. تنش عمودی ایجاد شده در آن بر حسب  $\frac{\text{kg}}{\text{cm}^2}$  چقدر است؟

- (۱)  $\pm 50$
- (۲) صفر
- (۳)  $\pm 208/3$
- (۴)  $\pm 416/7$

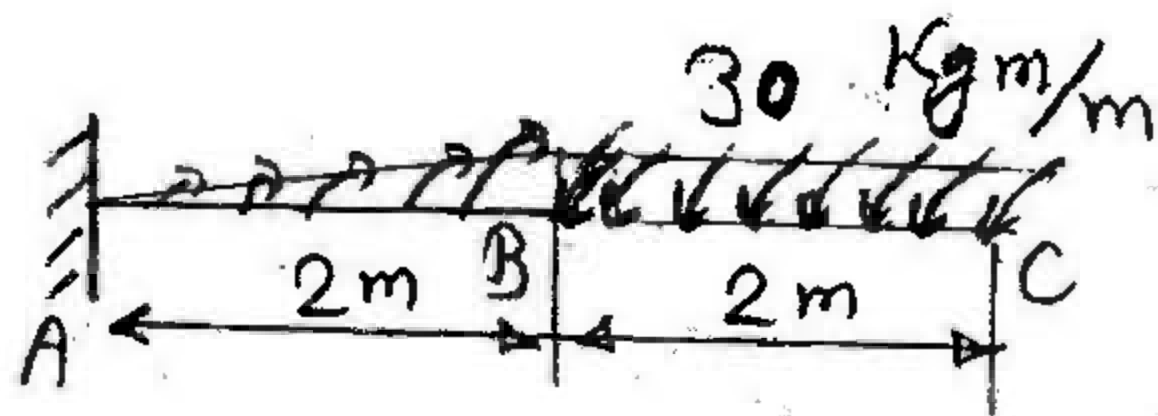
۶۱- صفحه  $BCDE$  به میله  $AE$  که دارای مقطع دایره توپر به شعاع  $5 \text{ cm}$  است کاملاً متصل است و عمود بر آن صفحه یاد وارد می‌شود. به طوری که نیروی وارده صد کیلوگرم بر هر متر مربع است.  $BC = 2 \text{ m}$  و  $CD = 1/5 \text{ m}$  می‌باشد. مقدار تنش برشی ماکزیمم حاصل از فقط پیچش در

$AB$  بر حسب  $\frac{\text{kg}}{\text{cm}^2}$  برابر است با:



- (۱)  $960\pi$
- (۲)  $48\pi$
- (۳)  $\frac{480}{\pi}$
- (۴)  $\frac{960}{\pi}$

- ۶۲- میله‌ای به قطر ۴ cm زیر اثر لنگر پیچشی مطابق شکل روبه‌رو قرار گرفته است. تنش برشی ماکزیمم بر حسب  $\frac{kg}{cm^2}$  در آن چقدر است؟ لنگر پیچشی در نیمه‌ی سمت راست با شدت ثابت  $30 \frac{kgm}{m}$  و در نیمه سمت چپ شدت آن به طور خطی از  $30 \frac{kgm}{m}$  به صفر می‌رسد.



- (۱) ۱۵۰۰  
(۲) صفر  
(۳)  $\frac{750}{\pi}$   
(۴)  $\frac{1500}{\pi}$

- ۶۳- اگر در انتهای تیر کنسول به طول ۱ جابه‌جایی قائم بر اثر بار متمرکز قائم در انتها برابر  $\Delta$  باشد، انحنای حداکثر ایجاد شده در تیر چقدر می‌باشد؟  $\Delta = 0.01$  است.

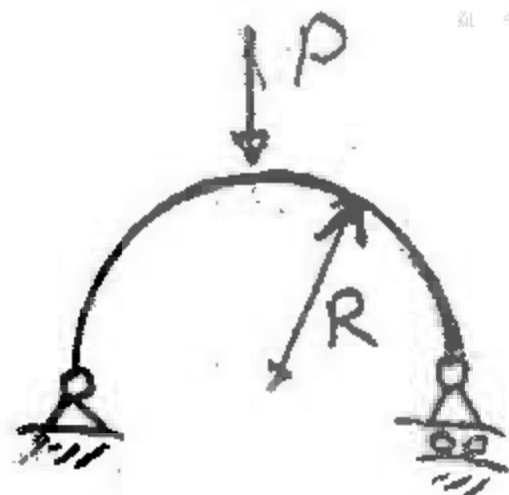
(۴)  $\frac{0.03}{1}$

(۳)  $\frac{0.01}{6}$

(۲)  $\frac{0.01}{1}$

(۱)  $\frac{0.01}{31}$

- ۶۴- قوسی به شکل نیم دایره مطابق شکل، زیر اثر نیروی قائم P در رأس می‌باشد. مقطع قوس به شکل دایره به شعاع r می‌باشد. ماکزیمم تنش خمشی در آن چه مقدار است؟



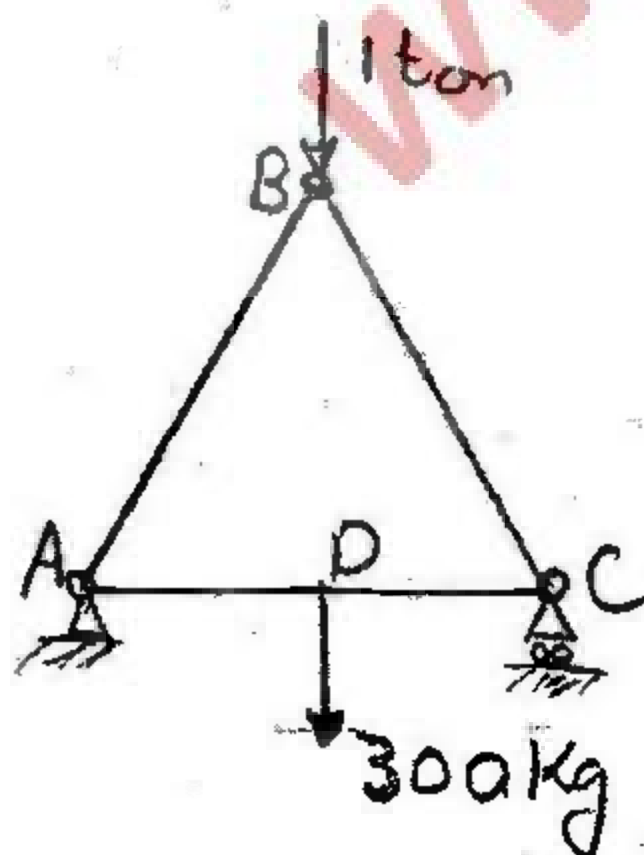
(۱)  $\frac{2PR}{\pi r^3}$

(۲)  $\frac{PR}{\pi r^2}$

(۳)  $\frac{PR}{2\pi r^3}$

(۴)  $\frac{PR}{2\pi r^4}$

- ۶۵- در شکل روبه‌رو هر سه میله به مقطع مربع به طول ضلع ۶ cm می‌باشند. جنس هر سه میله از فولاد و طول هر کدام ۴ متر است. تنش خمشی در مقطع D در وسط ضلع AC چقدر است؟ (بر حسب کیلوگرم بر سانتی‌متر مربع)



(۱)  $\pm 555$

(۲)  $\pm 3611$

(۳)  $\pm 833$

(۴)  $\pm 1250$

- ۶۶- مقدار جابه‌جایی قائم انتهای تیر کنسول به طول ۶a بر اثر بار قائم P در انتهای آن کدام است؟ (مقطع تیر قوطی به شکل مثلث متساوی الاضلاع با هر ضلع به طول a و ضخامت جداره t می‌باشد و مدول ارتجاعی نیز برابر E است.)

(۴)  $216\sqrt{3} \frac{P}{Et}$

(۳)  $144\sqrt{3} \frac{P}{Et}$

(۲)  $288 \frac{P}{Et}$

(۱)  $144 \frac{P}{Et}$

۶۷- یک شاخه تیر آهن ۱۲ متری با وزن  $2400 \text{ N}$  روی زمین سفت و صلب قرار دارد. اگر یک انتهای آن به بالا کشیده شود به طوری که ۸ متر از تیر از زمین جدا شود نیروی لازم چند نیوتن می باشد؟  $E = 200 \text{ GPa}$  و  $I = 20000 \text{ cm}^4$  می باشد.

- (۱) ۶۶۷ (۲) ۶۰۰ (۳) ۸۰۰ (۴) ۱۶۰۰

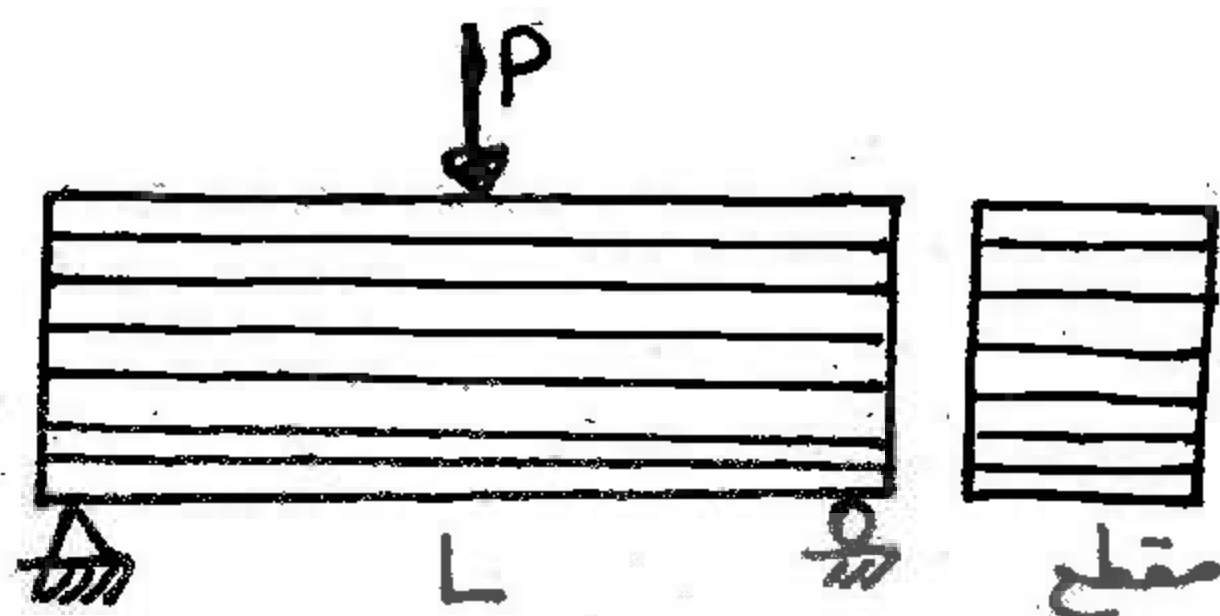
۶۸-  $n$  تیر با مقطع مستطیلی شکل که سطح مقطع هر یک از آنها  $A$  می باشد را یکبار بدون استفاده از چسب روی هم گذاشته و بار دیگر آنها را روی هم گذاشته و می چسبانیم. مقاومت برشی مجموعه تیرها در حالت دوم چند برابر اول است؟ (مقاومت برشی چسب از مقاومت برشی جنس تیر بیشتر است).

- (۱)  $1/5n$

- (۲) ۱

- (۳) ۲

- (۴)  $n$



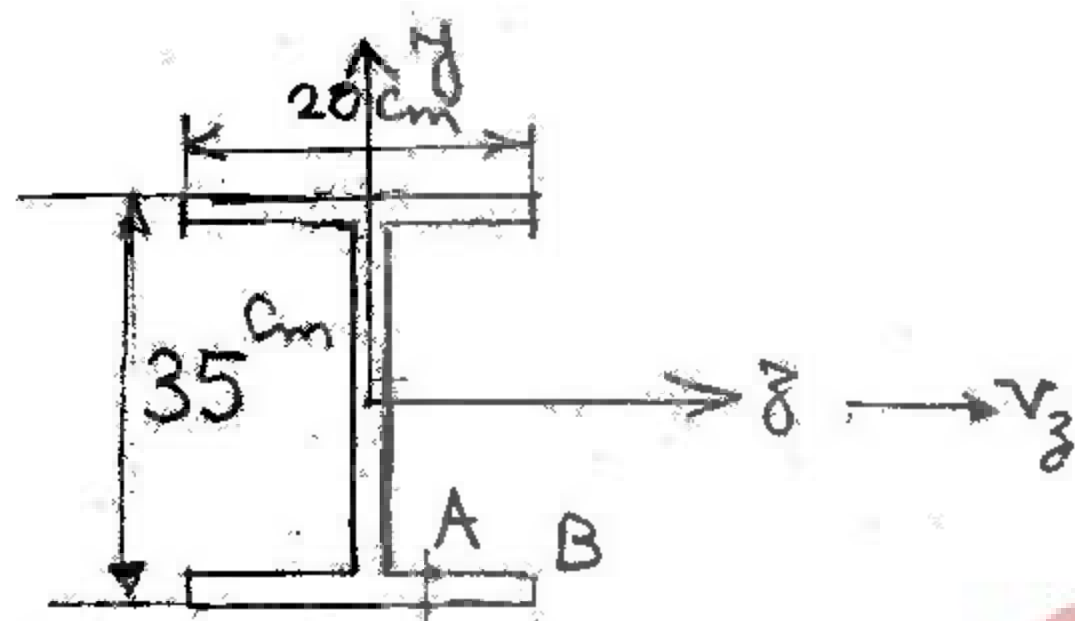
۶۹- در شکل روبه رو محورهای  $Y$  و  $Z$  محورهای تقارن هستند. اگر  $V_z = 20 \text{ ton}$  باشد. تنش برشی در نقطه  $A$  بر حسب  $\frac{\text{kg}}{\text{cm}^2}$  چقدر است؟ ضخامت جان و بالها، همه جا یک سانتی متر و  $AB = 6 \text{ cm}$  می باشد.

- (۱) ۳۱۵

- (۲) ۶۳۰

- (۳) ۵۰۰

- (۴) ۷۵۰



۷۰- مقطع یک تیر به شکل دایره و مقطع تیر دیگری به شکل مربع است. مساحت مقطع هر دو تیر مساوی است. نسبت مقاومت برشی تیر اول به تیر دوم برابر است با: (راهنمایی: حداکثر تنش برشی در مقطع دایره با سطح مقطع  $A$  تحت برش  $V$  برابر  $\frac{4V}{3A}$  می باشد).

- (۱)  $\frac{4}{3}$

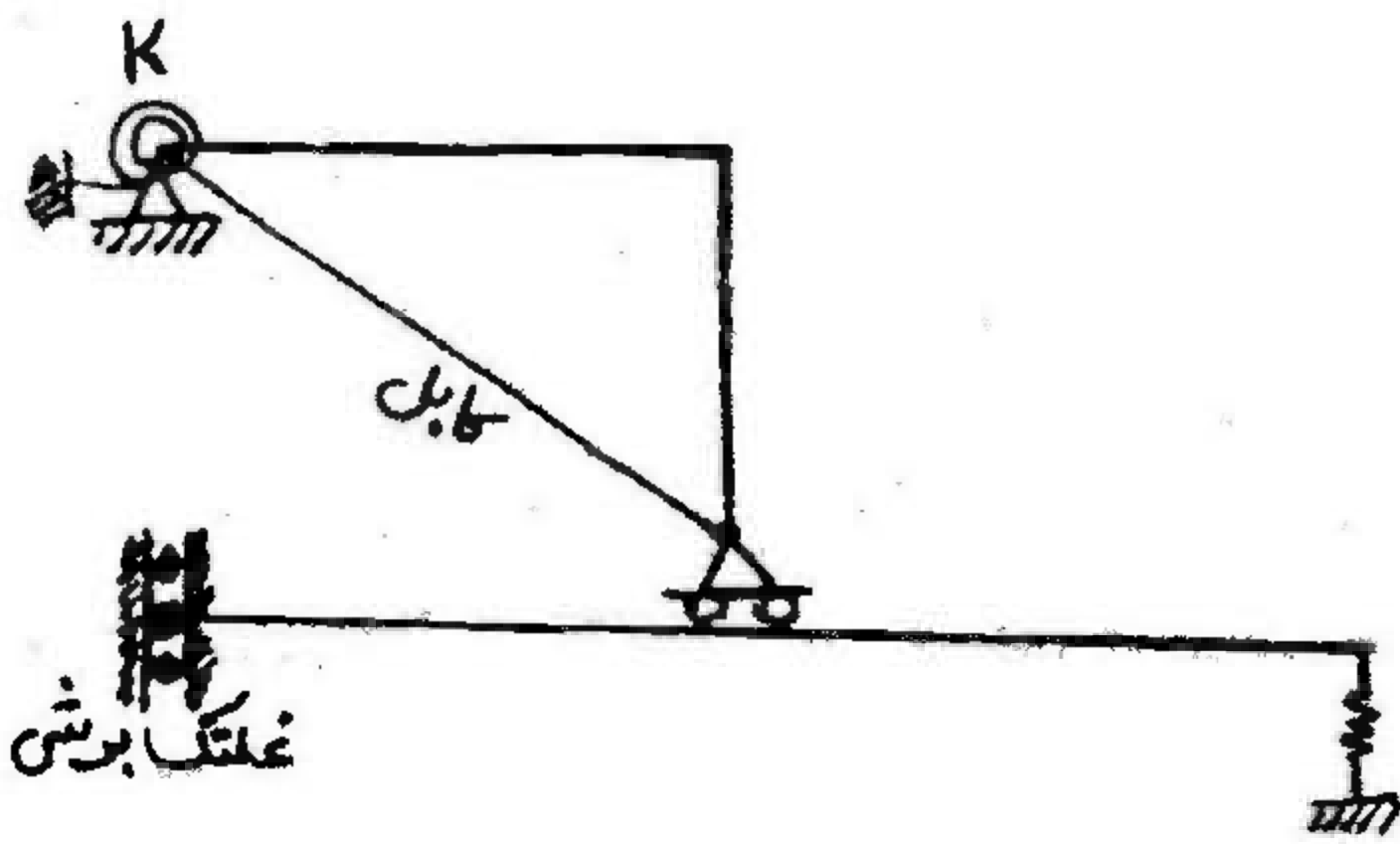
- (۲)  $\frac{8}{9}$

- (۳) ۱.۰۲

- (۴)  $\frac{9}{8}$

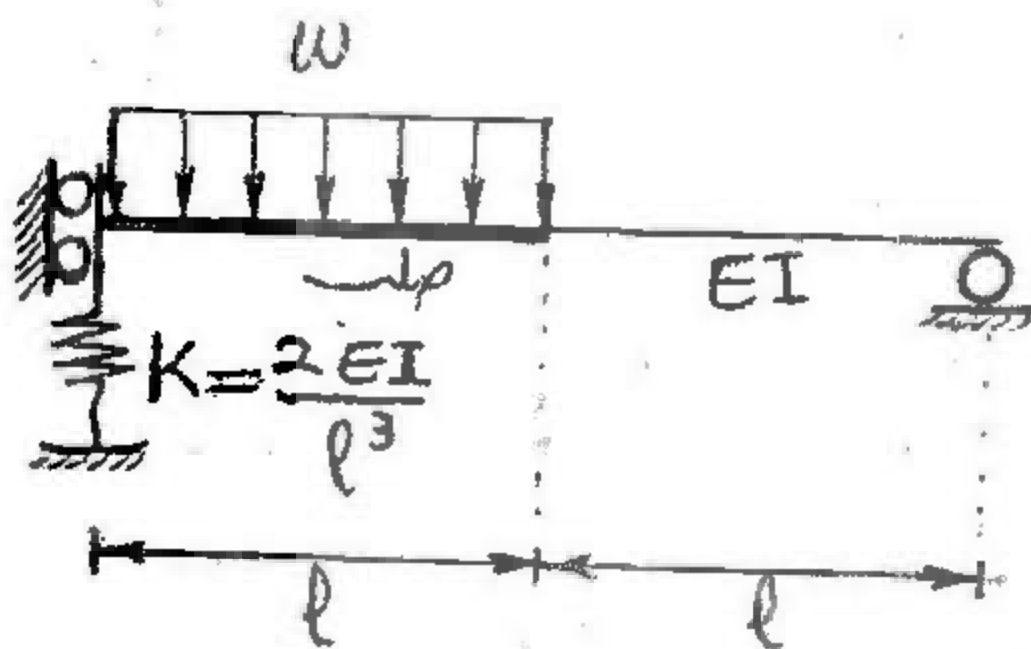
۷۱- درجات نامعینی سازه شکل مقابل، کدام است؟

- ۱ (۱)
- ۴ (۲)
- ۳ (۳)
- ۲ (۴)



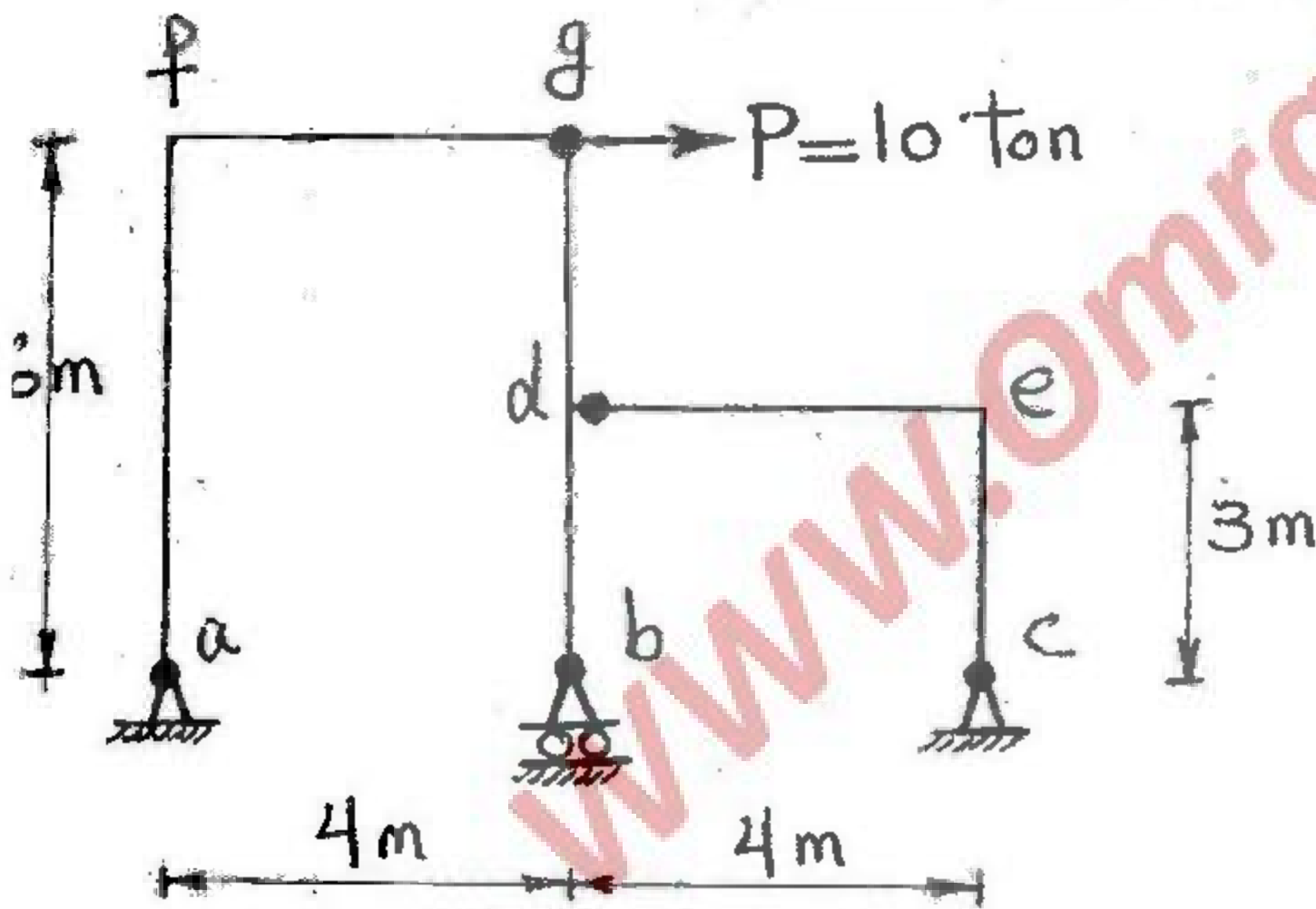
۷۲- در تیر شکل مقابل، نیرو در فنر کدام است؟

- ۰/۲  $wl$  (۱)
- ۰/۱۵  $wl$  (۲)
- ۰/۴  $wl$  (۳)
- ۰/۳  $wl$  (۴)



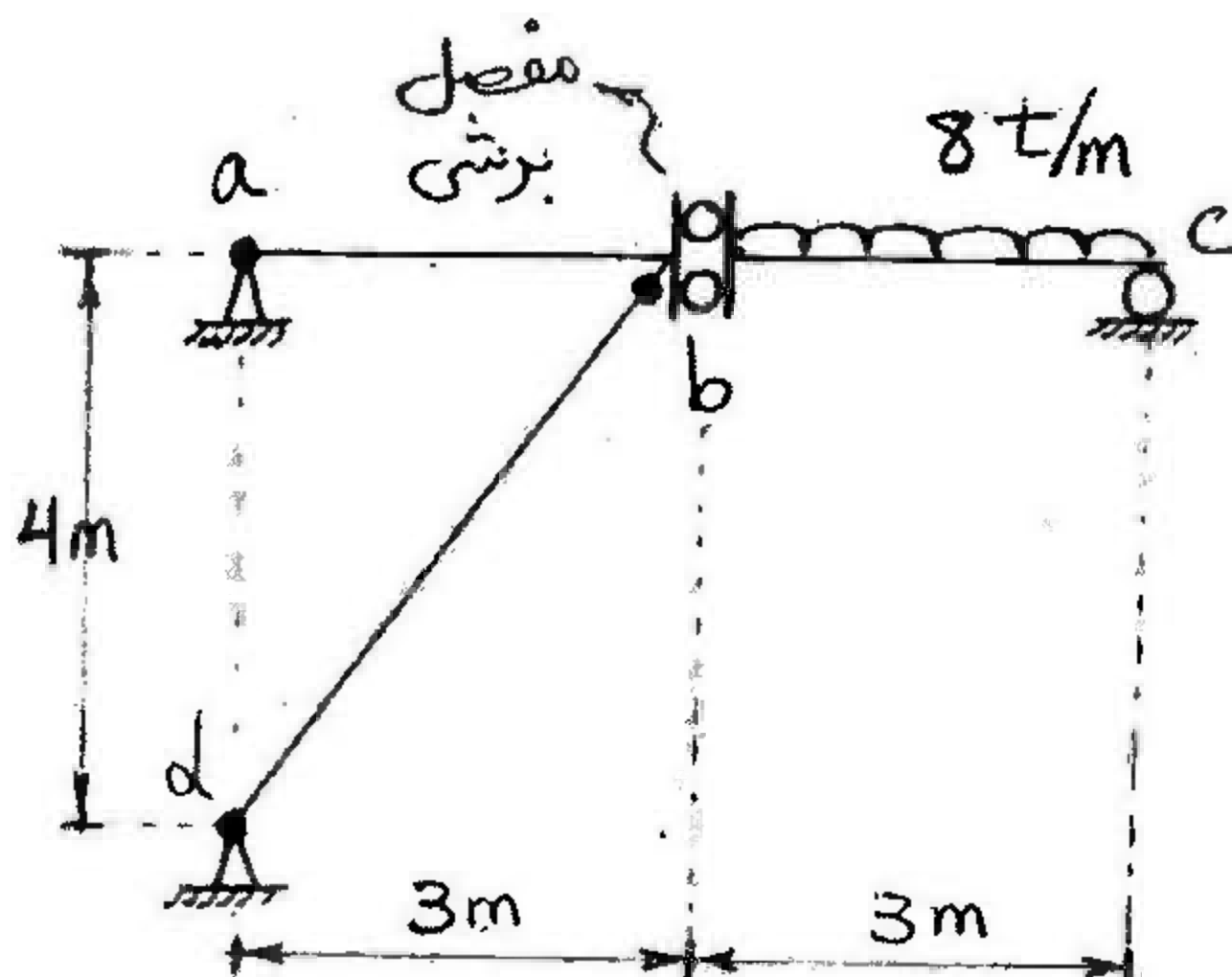
۷۳- در سازه شکل مقابل که مفصل‌ها با گره توپر مشخص شده‌اند در اتصالات صلب f و e، ممان چند t.m است؟

- $M_e = 0$   $M_f = 0$  (۱)
- $M_e = 0$   $M_f = 60$  (۲)
- $M_e = 15$   $M_f = 30$  (۳)
- $M_e = 30$   $M_f = 0$  (۴)



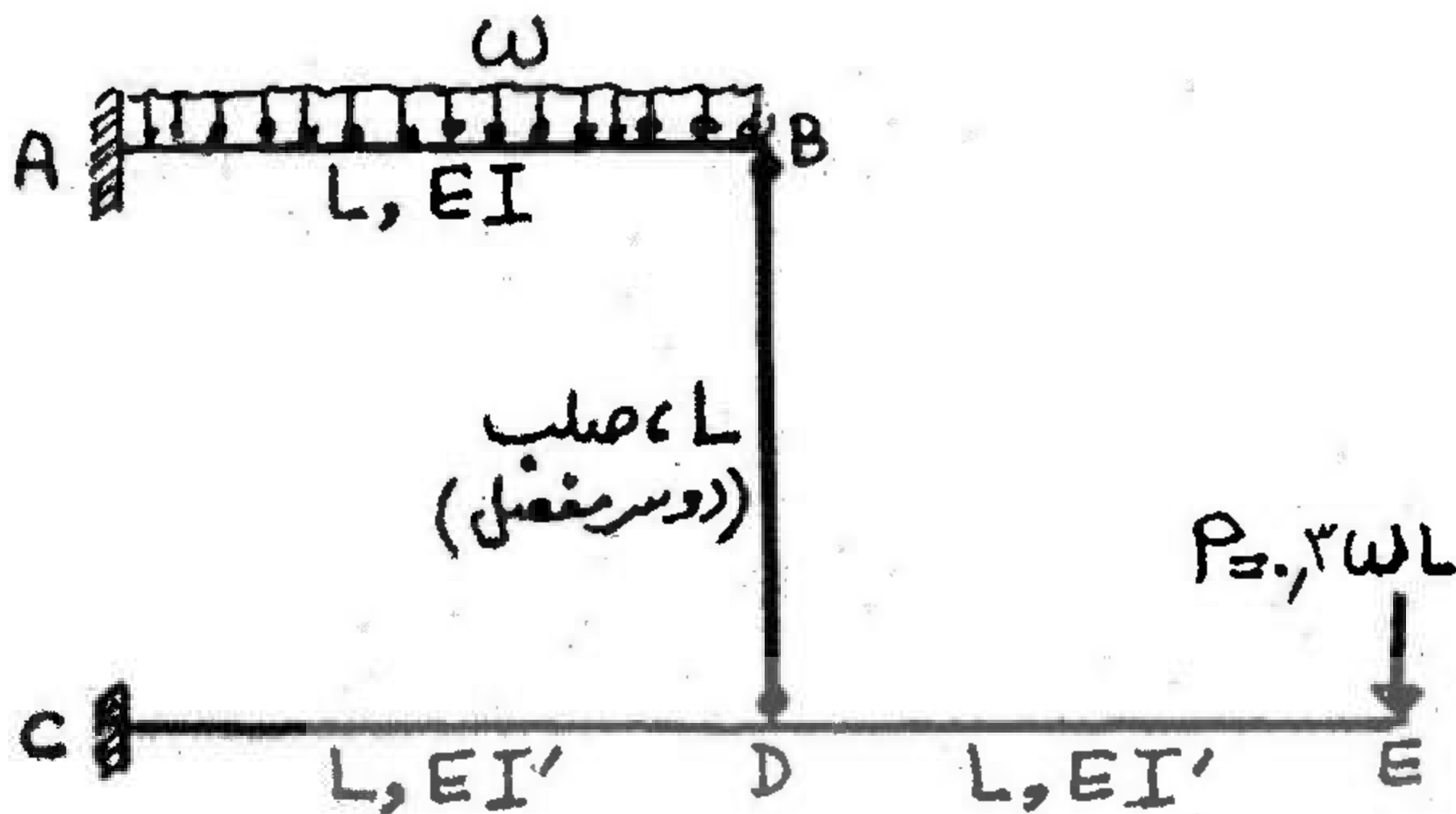
۷۴- در سازه شکل مقابل، نیرو در میله bd چند ton است؟

- ۰ (۱)
- ۲۰ (۲)
- ۱۵ (۳)
- ۱۰ (۴)



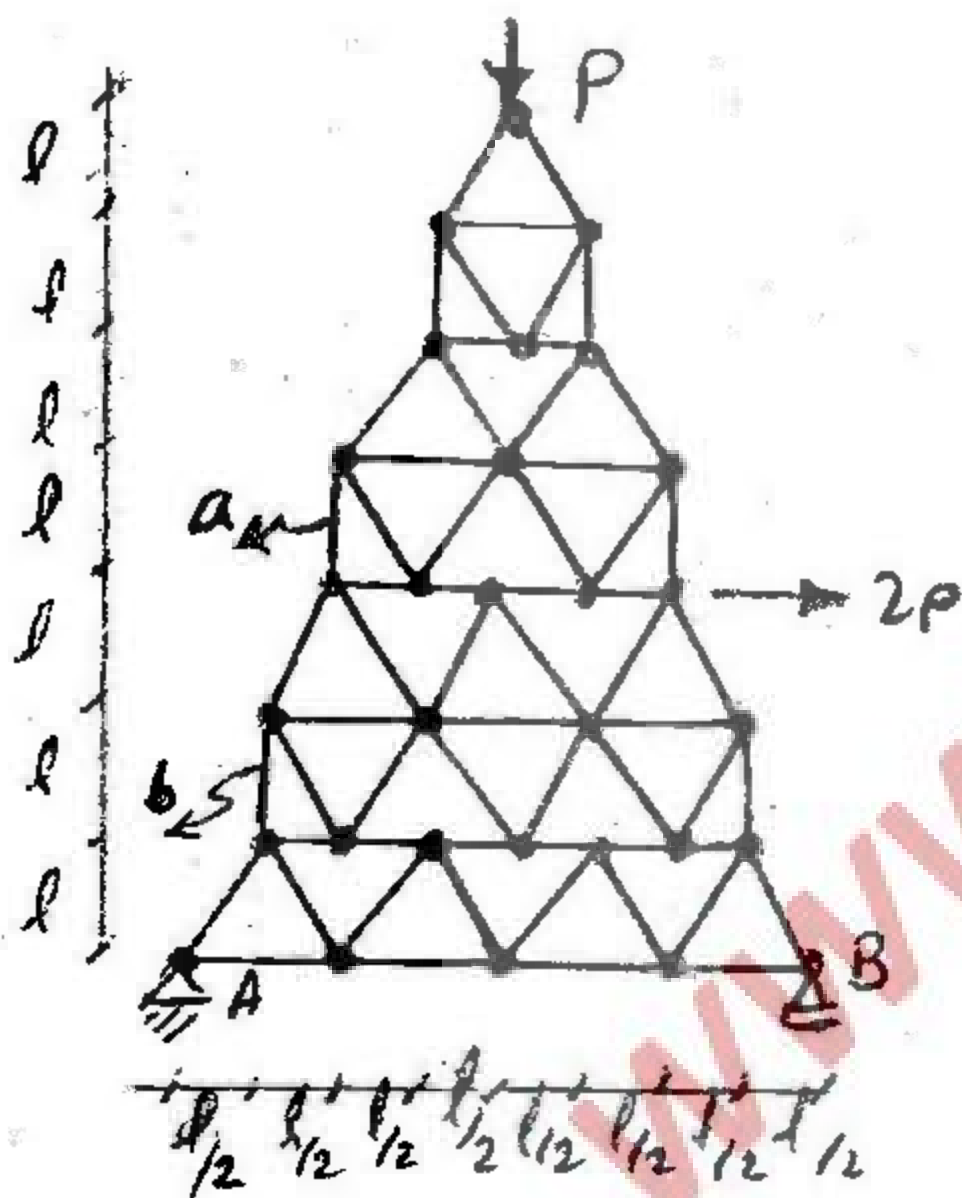
۷۵- ممان اینرسی عضو CDE چند برابر ممان اینرسی عضو AB باشد تا مقدار نیرو در عضو BD صفر شود؟

- (۱) ۰/۵
- (۲) ۲
- (۳) ۱/۵
- (۴) ۱



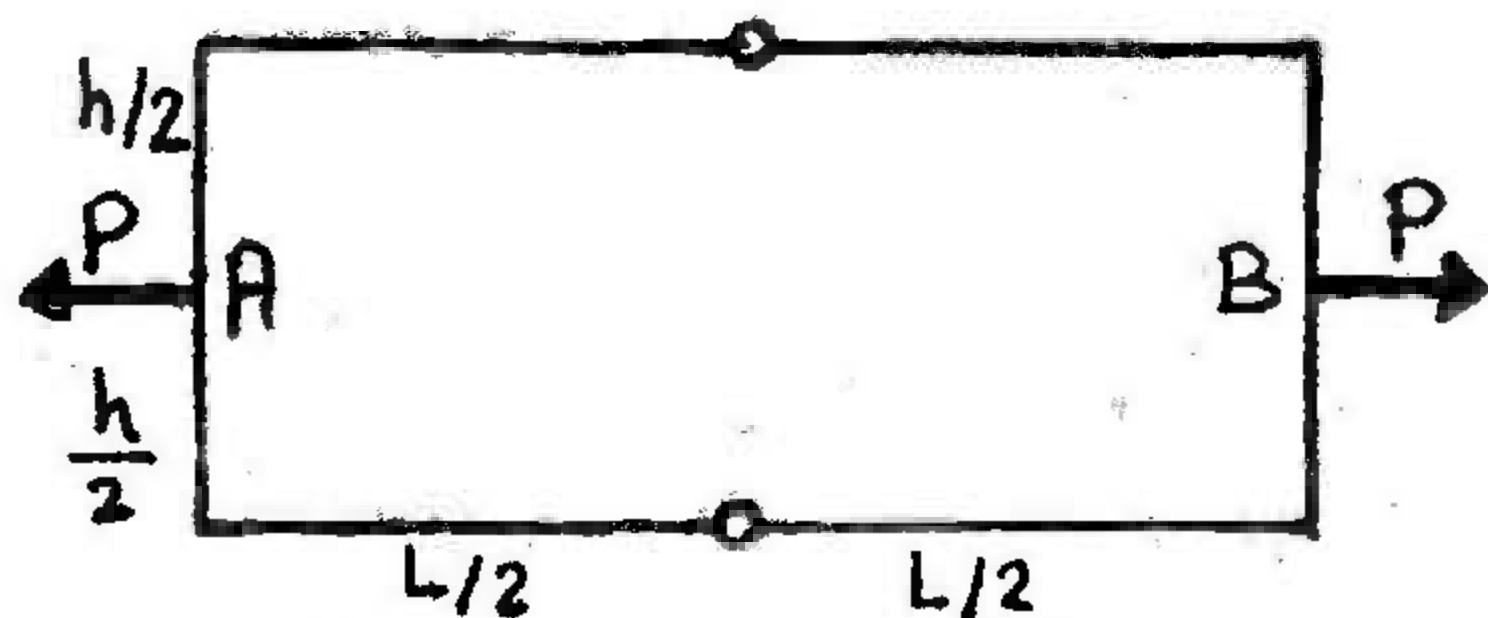
۷۶- در سازه مفصلی (خرپای) متقارن شکل مقابل، دو نیروی P و 2P به آن اعمال شده است، نیروی داخلی عضو b چند برابر عضو a است؟ (ارتفاع

برج 7l و قاعده آن  $\frac{l}{8}$  می‌باشد و سازه بدون اعمال نیرو متقارن است.)



- (۱)  $-\frac{7}{3}$
- (۲)  $-\frac{2}{3}$
- (۳)  $-\frac{4}{3}$
- (۴)  $-\frac{5}{3}$

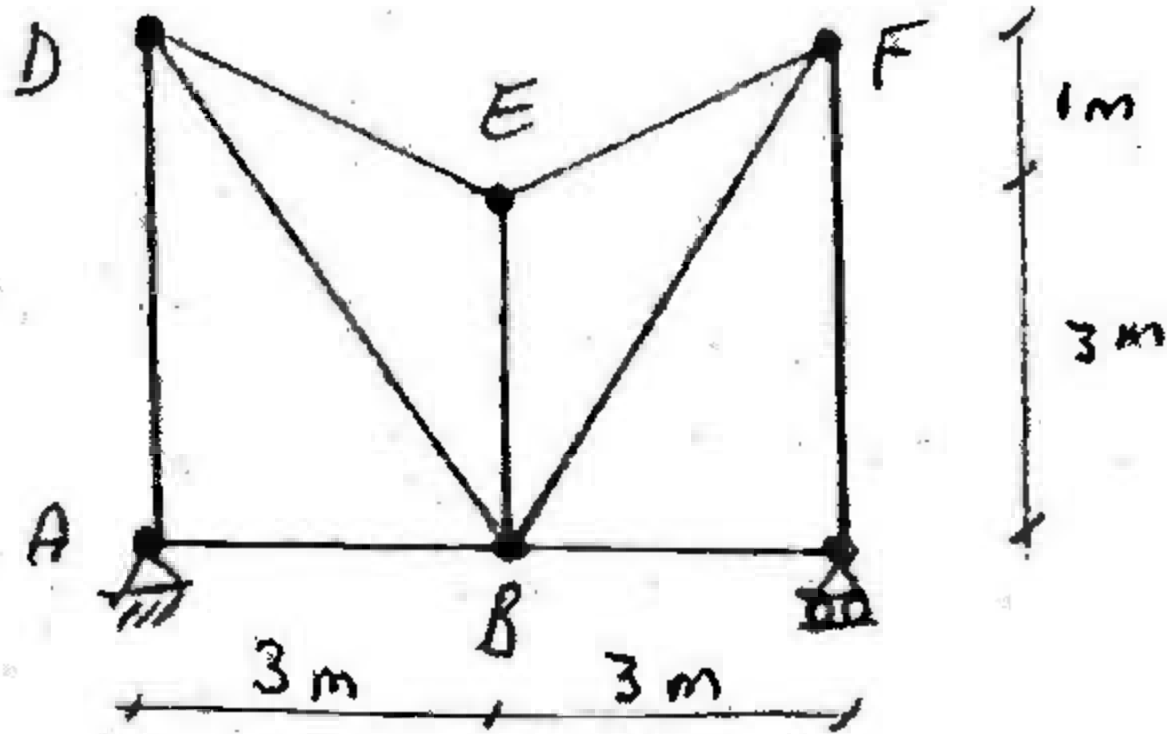
۷۷- در سازه نشان داده شده، جابجایی نسبی A و B کدامند؟ (EI برای کلیه اعضا ثابت)



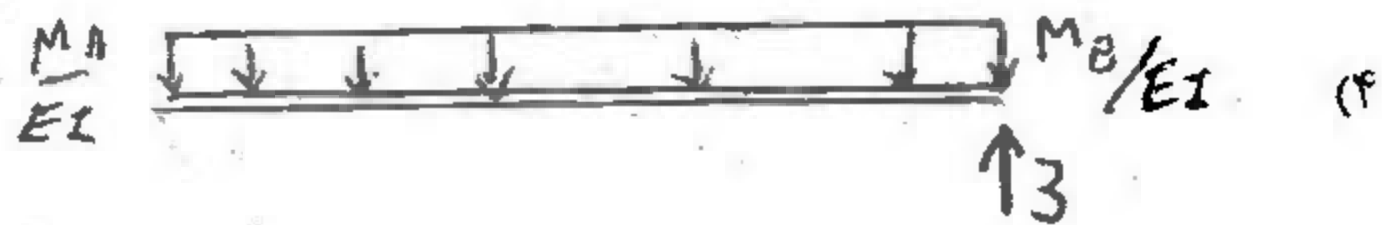
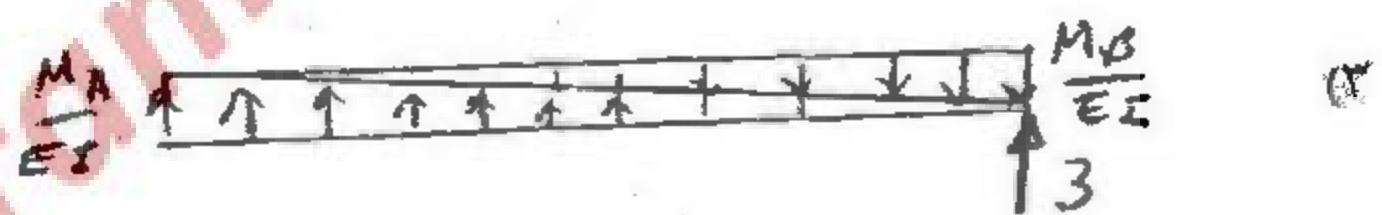
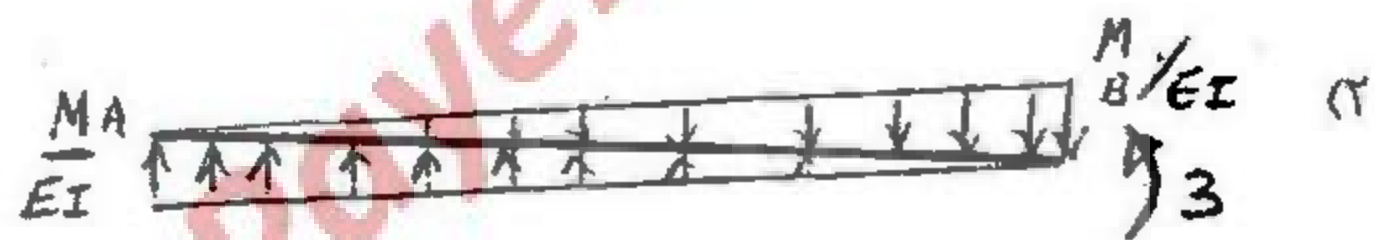
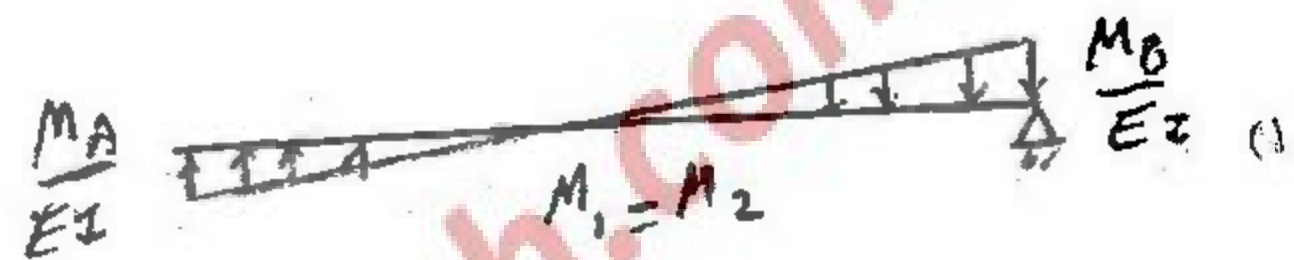
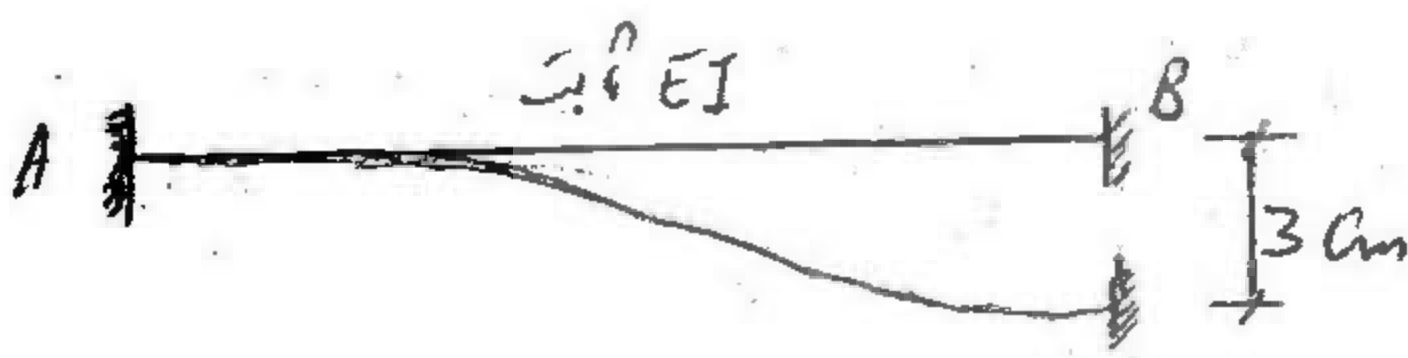
- (۱)  $\frac{Ph^3}{24EI}$
- (۲)  $\frac{Ph^3}{192EI}$
- (۳)  $\frac{Ph^3}{96EI}$
- (۴)  $\frac{Ph^3}{48EI}$

۷۸- در خرپای شکل مقابل، میله EB موقع مونتاز سه سانتی‌متر کوتاه است. چنانچه با اعمال بار افقی ۵ تنی در نقطه F نیروی داخلی میله EB، ۳ تن فشاری باشد، تغییر مکان افقی نقطه F پس از مونتاز و قبل از هرگونه بارگذاری بر حسب سانتی‌متر چقدر خواهد شد؟

- (۱) ۰/۶
- (۲) ۱/۸
- (۳) ۱/۲
- (۴) ۰/۹

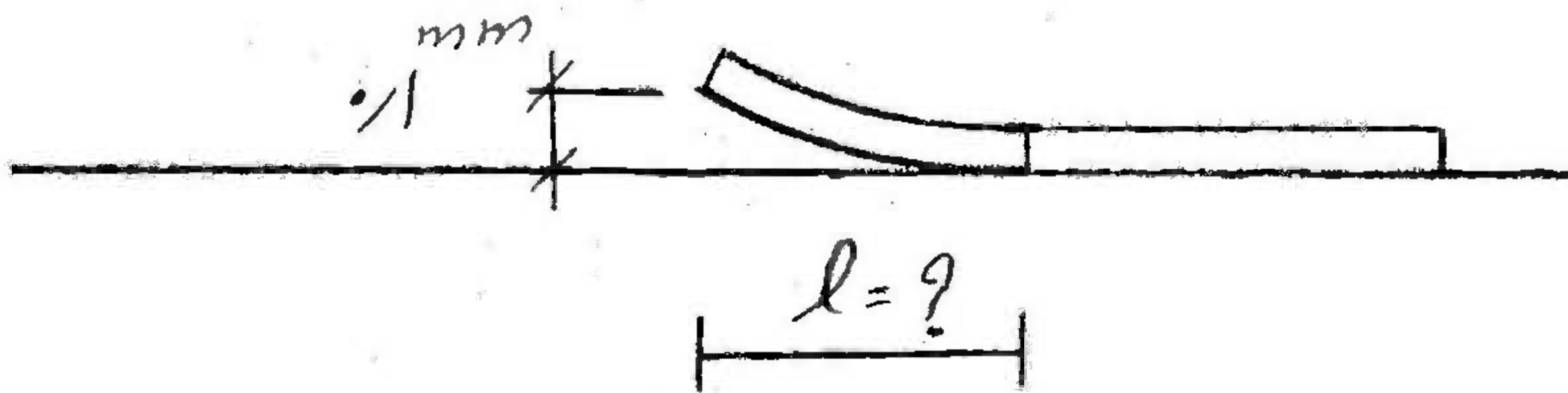


۷۹- در تیر شکل مقابل، تکیه‌گاه B، ۳ سانتی‌متر نشست کرده است. تیر مزدوج این تیر کدام است؟



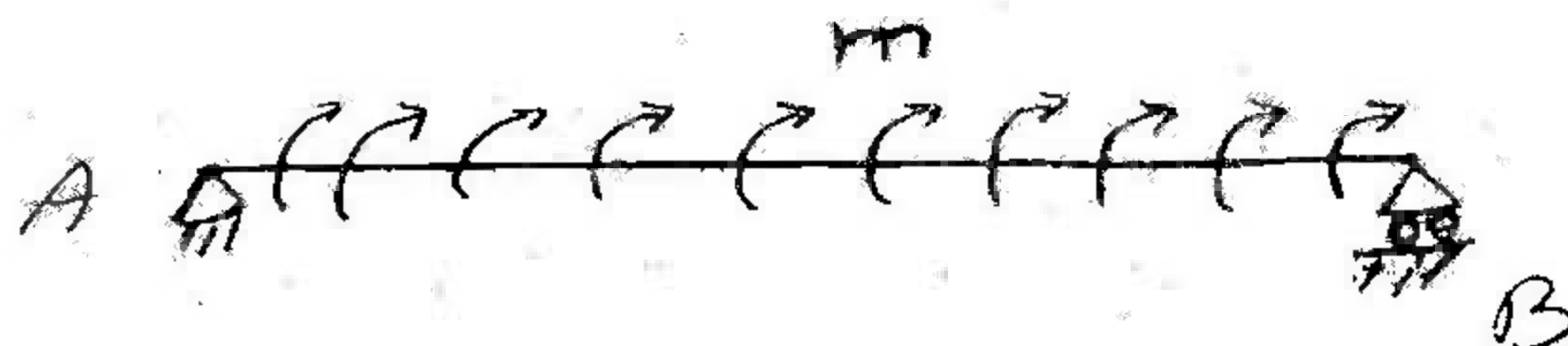
۸۰- تیری که طول آن به حد کافی طولانی است بر روی زمین صلب قرار گرفته است. اگر انتهای آن را به اندازه ۱/۱ میلی‌متر بالا ببریم، طولی که از آن بر حسب متر (m) از زمین جدا می‌شود، چقدر است؟ (وزن تیر ۱۰۳ تن بر متر و  $EI = 200t.m^2$  می‌باشد.)

- (۱) ۳
- (۲) ۱
- (۳) ۱/۵
- (۴) ۲

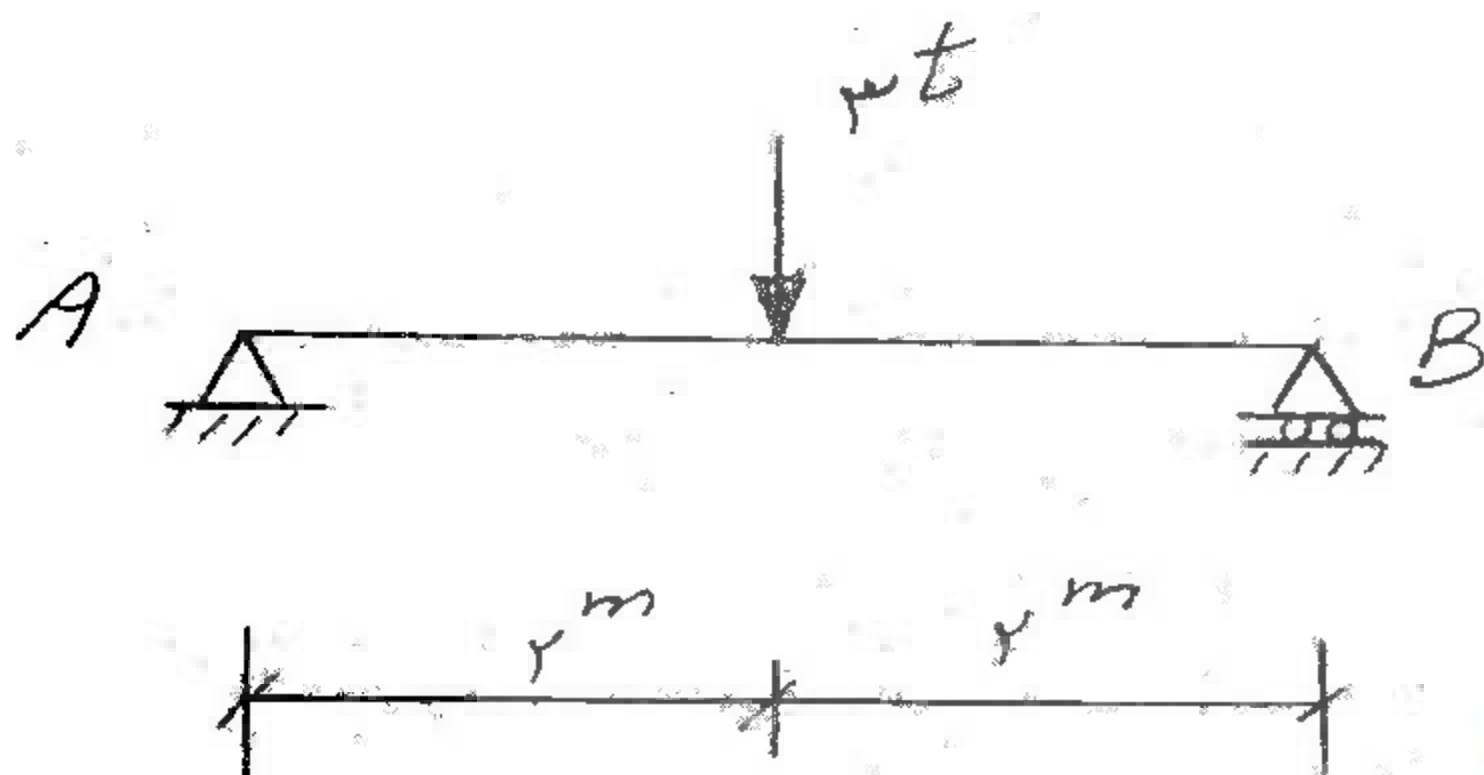


۸۱- تیر AB به طول  $l$  تحت اثر لنگر خمشی گسترده یکنواخت به شدت  $m$  قرار گرفته است اگر صلبیت خمشی و برشی تیر در طول آن ثابت فرض شود، تغییر مکان ناشی از خمش ..... و ناشی از برش ..... است.

- (۱) صفر - صفر
- (۲) غیر صفر - صفر
- (۳) غیر صفر - غیر صفر
- (۴) صفر - غیر صفر

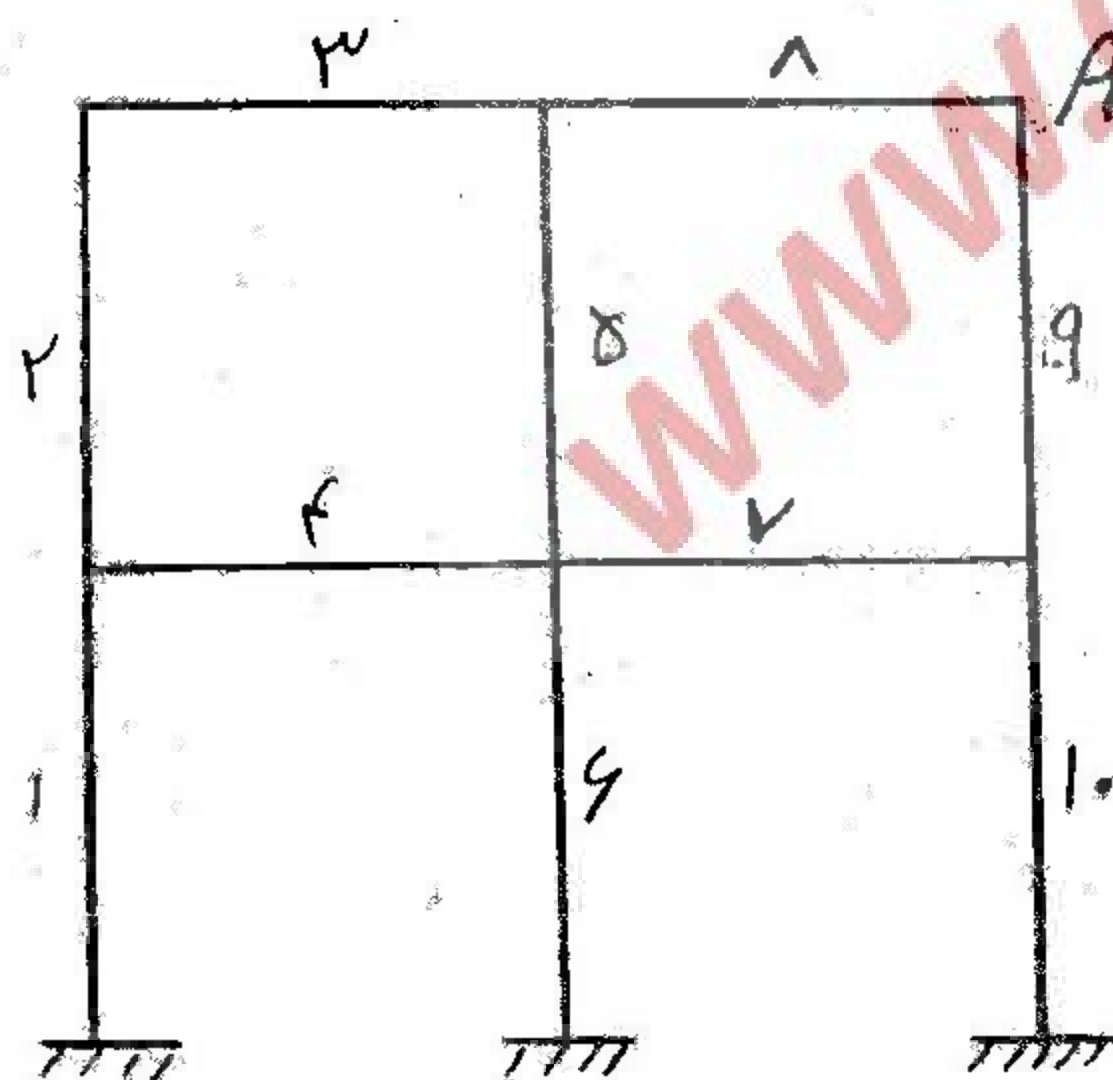


۸۲- تیر AB به طول  $4m$  و صلبیت خمشی  $EI = 10^4 t.m^2$  مفروض است. مساحت زیر منحنی تغییر شکل بر حسب  $cm^2$  چقدر است؟ (منظور منحنی تغییر شکل ناشی از خمش می‌باشد.)



- (۱) ۵
- (۲) ۲۰
- (۳) ۱۵
- (۴) ۱۰

۸۳- قابی مطابق شکل مفروض است. اعضای قاب مطابق شکل شماره گذاری شده‌اند. اگر لنگر خمشی عضو شماره ۱ را با  $M_1$  نشان دهیم که در طول عضو  $(x)$  متغیر می‌باشد.  $M_i = M_i(x)$  دوران نقطه A محل تقاطع عضو ۸ و ۹، کدام است؟



- (۱)  $\int_{l_8} M_8(x) dx + \int_{l_9} M_9(x) dx$
- (۲)  $\int_{l_{10}} M_{10}(x) dx + \int_{l_9} M_9(x) dx + \int_{l_8} M_8(x) dx$
- (۳)  $\int_{l_6} M_6(x) dx + \int_{l_5} M_5(x) dx + \int_{l_8} M_8(x) dx$
- (۴)  $\int_{l_7} M_7(x) dx + \int_{l_8} M_8(x) dx$



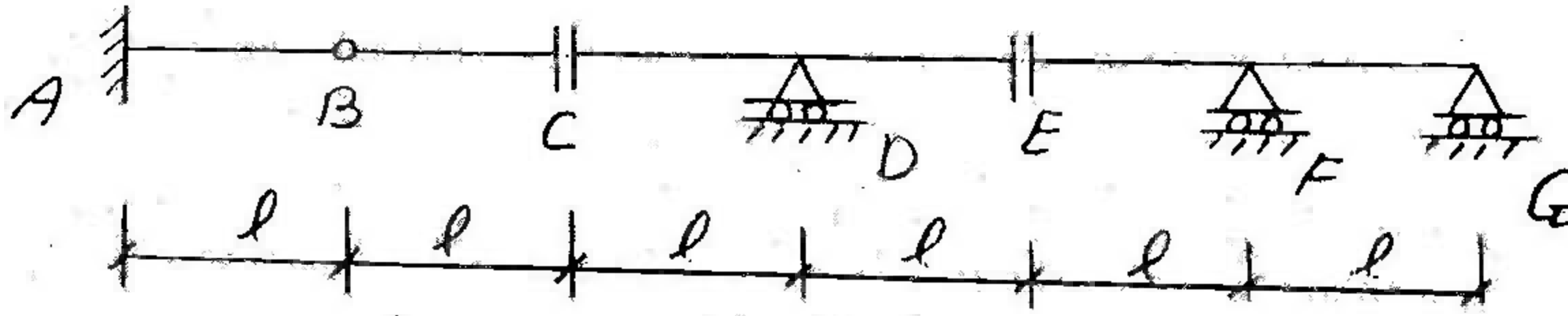
۸۴- اگر بار گسترده یکنواختی به شدت  $w$  و طول متغیر از روی تیر شکل مقابل عبور کند. مقدار ماکزیمم لنگر خمشی در  $A$  کدام است؟

(۱)  $\frac{3wl^2}{2}$

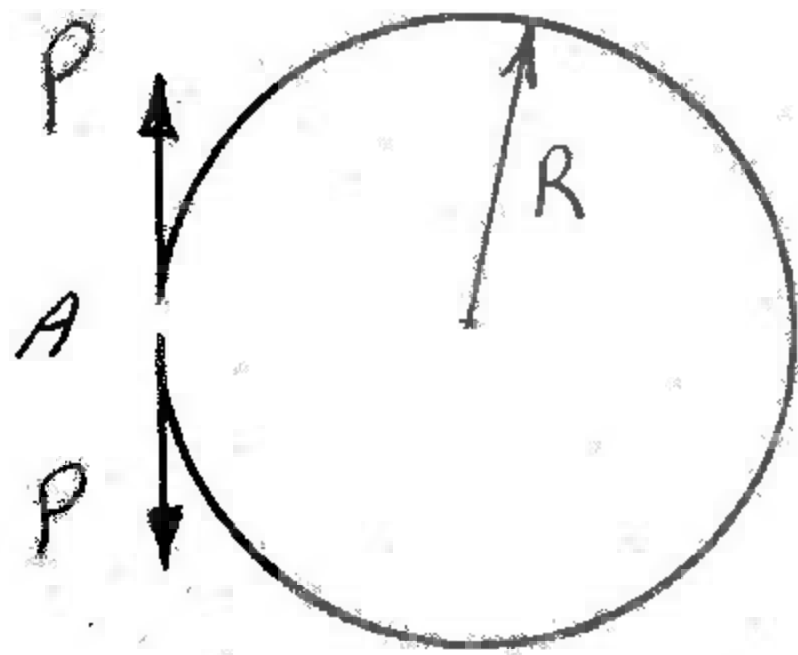
(۲)  $2wl^2$

(۳)  $\frac{5wl^2}{2}$

(۴)  $\frac{wl^2}{2}$



۸۵- حلقه دایره شکلی در نقطه  $A$  بریده شده و تحت اثر دو نیروی مساوی با علامت مخالف  $P$  قرار گرفته است. بین دو انتهای بریده شده چقدر فاصله ایجاد می‌شود؟ (صلبیت خمشی حلقه را  $EI$  فرض کنید و از اثرات برش و نیروی محوری صرف‌نظر نمایید).



(۱)  $\frac{\pi PR^2}{EI}$

(۲)  $\frac{4\pi PR^2}{EI}$

(۳)  $\frac{2\pi PR^2}{EI}$

(۴)  $\frac{2\pi PR^2}{EI}$

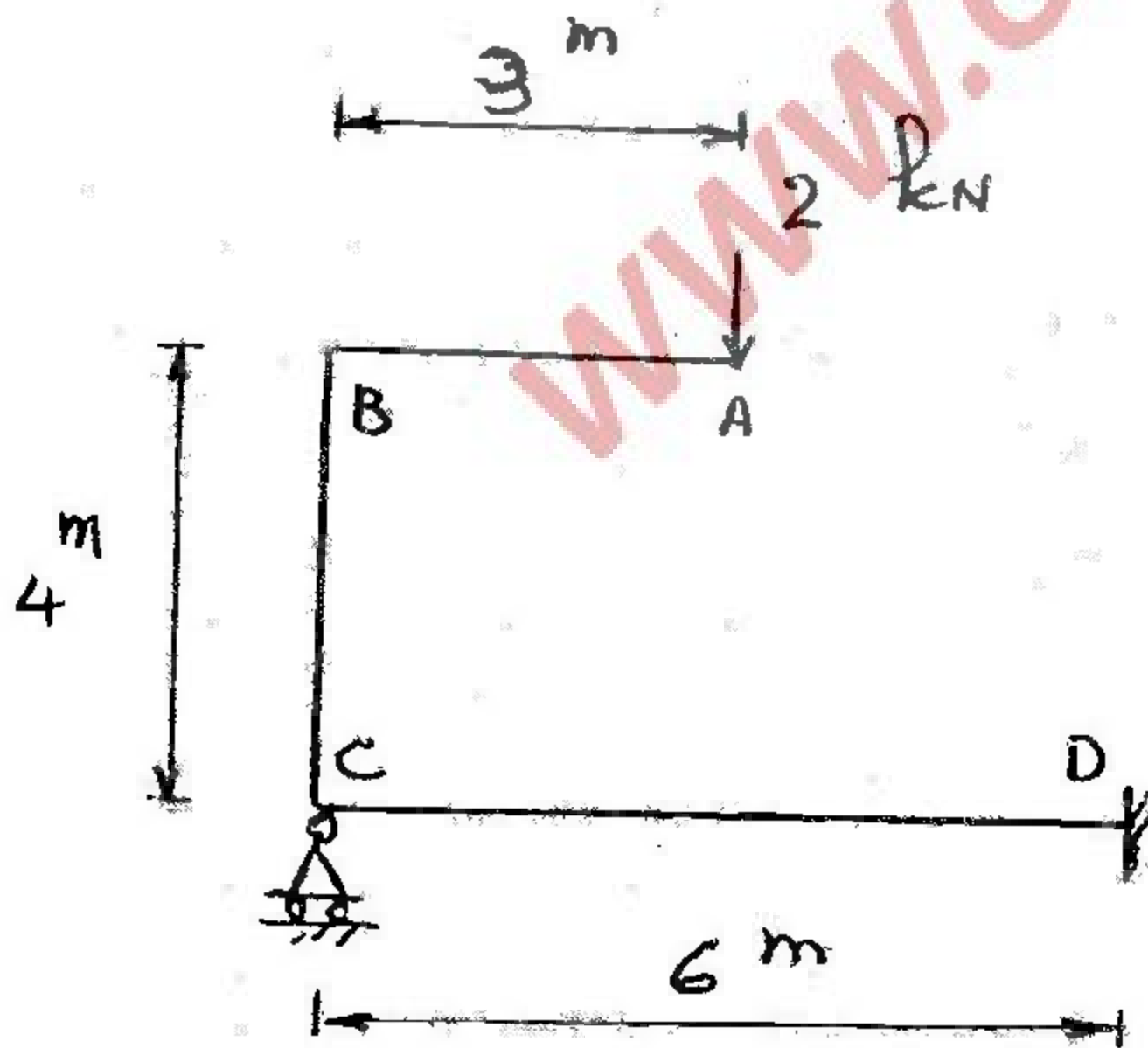
۸۶- واکنش تکیه‌گاه  $C$  بر حسب  $kN$  چقدر است؟

(۱)  $\frac{2}{3}$

(۲)  $2$

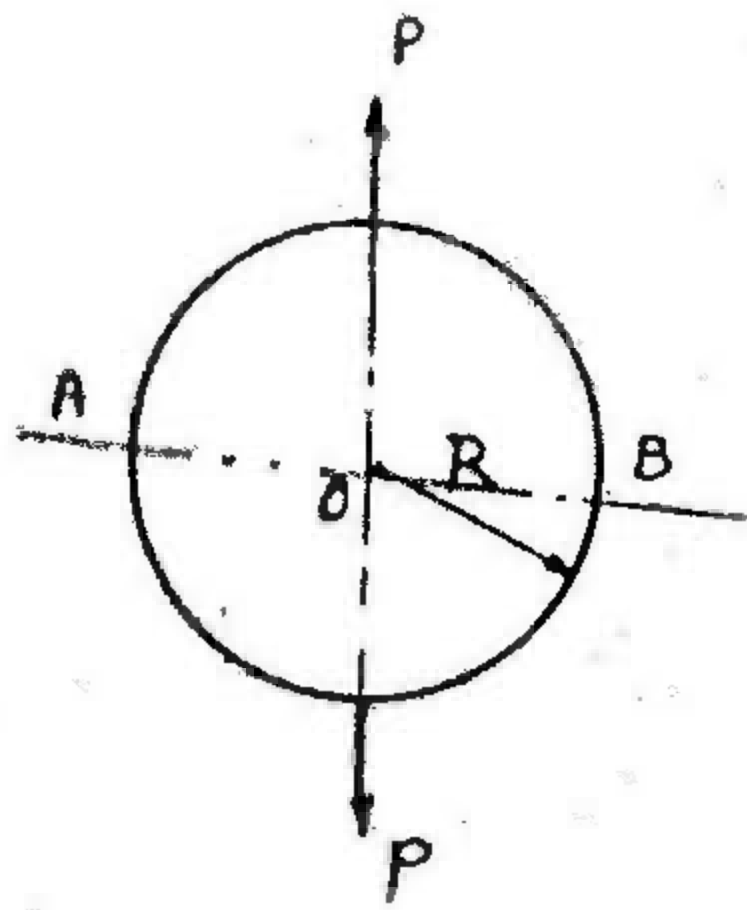
(۳)  $\frac{1}{2}$

(۴)  $\frac{1}{3}$



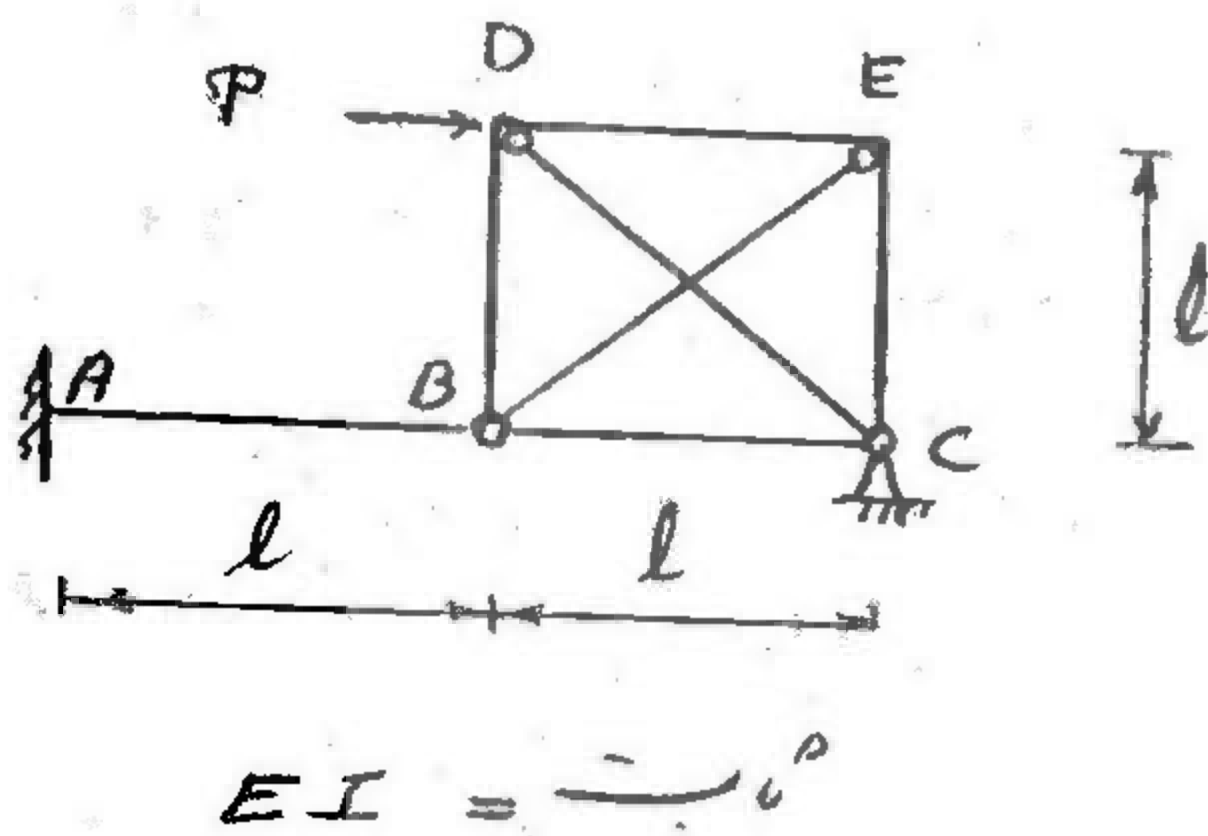
$EI = 10^6$

۸۷-  $M_A$  کدام است؟ (صلبیت خمشی، برشی و محوری ثابت است.)



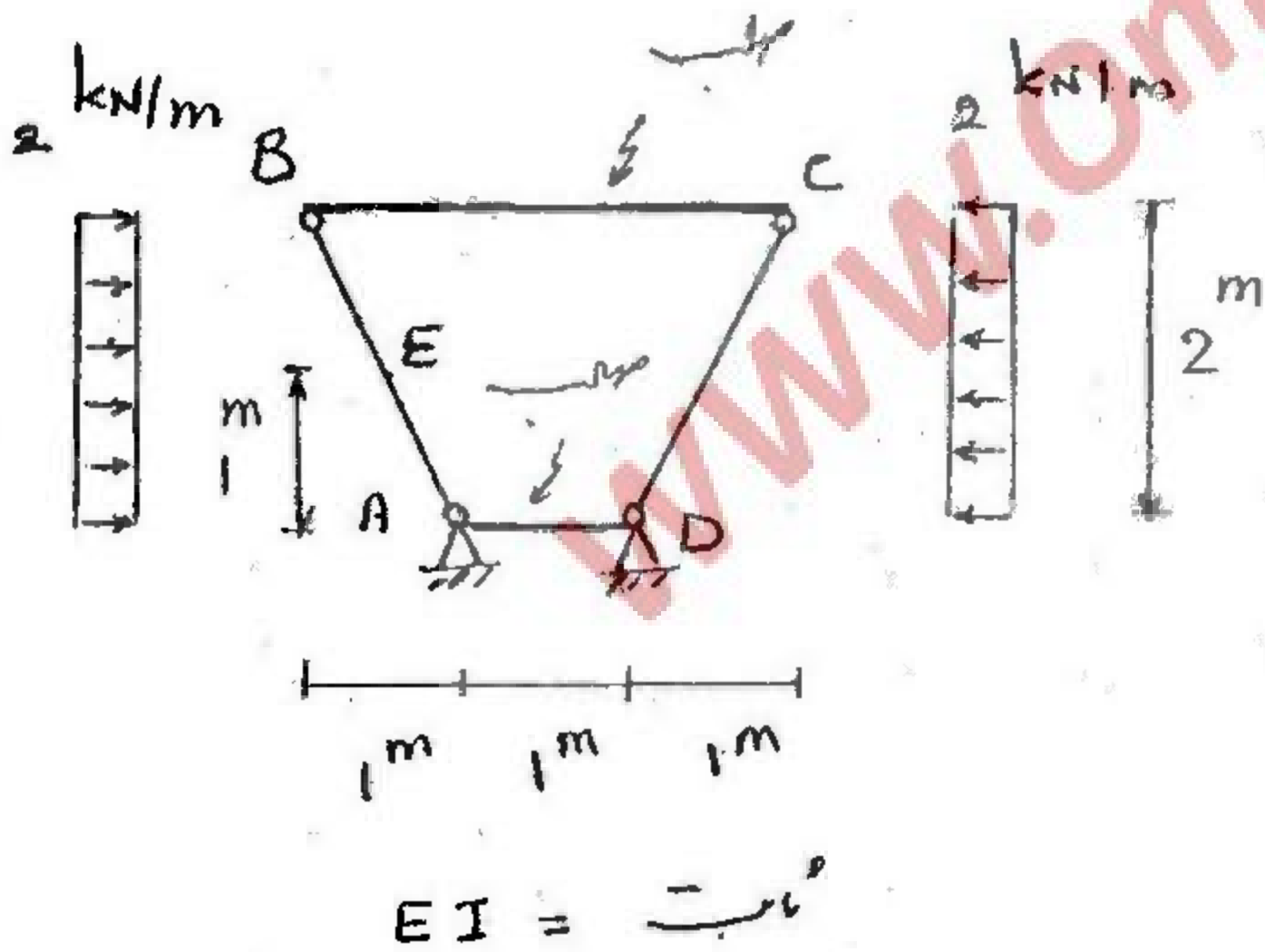
- (۱)  $PR(\frac{1}{\gamma} - \frac{1}{\pi})$
- (۲)  $-\frac{PR}{\pi}$
- (۳)  $\frac{PR}{\pi}$
- (۴)  $\frac{PR}{\gamma}$

۸۸- تغییر مکان قائم نقطه B را تعیین کنید؟



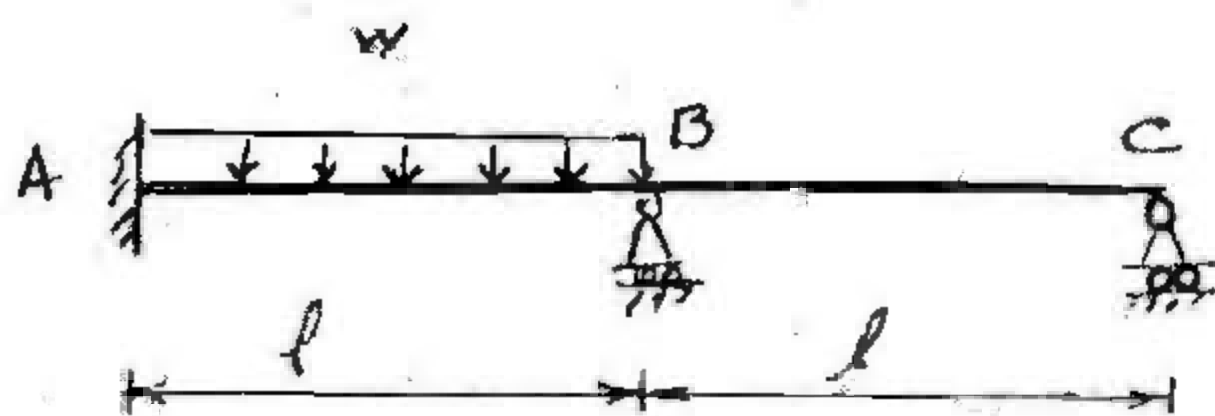
- (۱)  $\frac{Pl^3}{2EI}$
- (۲)  $\frac{12Pl^3}{EI}$
- (۳)  $\frac{Pl^3}{8EI}$
- (۴)  $\frac{Pl^3}{3EI}$

۸۹-  $M_E$  بر حسب KN.m چقدر است؟



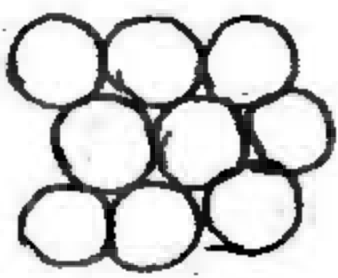
- (۱) ۱
- (۲)  $\frac{1}{2}$
- (۳)  $\frac{2}{3}$
- (۴)  $\frac{2}{3}$

۹۰- اگر در تحلیل تیر نامعین شکل مقابل یکی از مجهولات اضافی را  $M_B$  انتخاب کنیم، رابطه سازگاری تغییر مکان مربوطه براساس کدام رابطه نوشته می‌شود؟ (چپ: L راست: R)

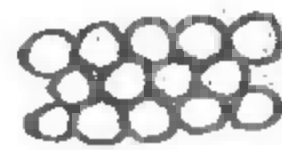


- (۱)  $M_{BL} \theta_{BL} + M_{BR} \theta_{BR} = 0$
- (۲)  $\theta_{BL} = \theta_{BR}$
- (۳)  $\theta_{BL} + \theta_{BR} = 0$
- (۴)  $M_{BL} \theta_{BL} = M_{BR} \theta_{BR}$

- ۹۱- علت اصلی چسبندگی در خاک‌های رسی وجود بارهای ..... می‌باشد.
- ۹۲- کدام رابطه، بین چگالی دانه‌های جامد خاک  $G_s$ ، درجه اشباع  $S_r$  نشانه خلا (ضریب تخلخل)  $e$  و درصد رطوبت  $w$  برقرار می‌باشد؟
- ۹۳- وزن مخصوص خاکی در حالت طبیعی  $\frac{gr}{cm^3}$   $1/6$  می‌باشد. اگر رطوبت خاک را  $1/5$  برابر رطوبت اولیه نمایم، وزن مخصوص آن  $\frac{gr}{cm^3}$   $1/7$  بدست می‌آید. درصد رطوبت اولیه خاک، چقدر است؟
- ۹۴- به منظور اجرای زیرسازی قطعه‌ای از راه به عرض ۸ متر، طبق مشخصات بایستی مصالح شناسایی شده در قرضه‌ای با رطوبت طبیعی  $10\%$  درصد، در ضخامت  $12/5$  سانتی‌متر و با تراکم  $98\%$  درصد کوبیده شود. اگر نتیجه آزمایش تراکم  $(\gamma_d)_{max} = 2/041$  ( $\frac{t}{m^3}$ ) باشد و پیمانکار بخواهد با کامیون‌های  $33$  تنی مصالح را از محل قرضه به طول پروژه بیاورد، فواصل بهینه تخلیه کامیون‌ها در طول راه بر حسب متر، چقدر می‌باشد؟
- ۹۵- برای متراکم ساختن موثر یک لایه خاک ماسه‌ای خشک با تخلخل اولیه زیاد (بسیار سست) مناسب‌ترین، روش تراکم کدام است؟
- ۹۶- دو نمونه خاک ماسه‌ای خالص با دانه‌های نسبتاً کروی مطابق شکل موجود است.  $D_{10}$  برای خاک A برابر  $0/01$  سانتی‌متر و برای خاک B برابر  $0/002$  سانتی‌متر است. کدام جمله در مورد ضریب نفوذپذیری این ۲ نمونه خاک صحیح است؟

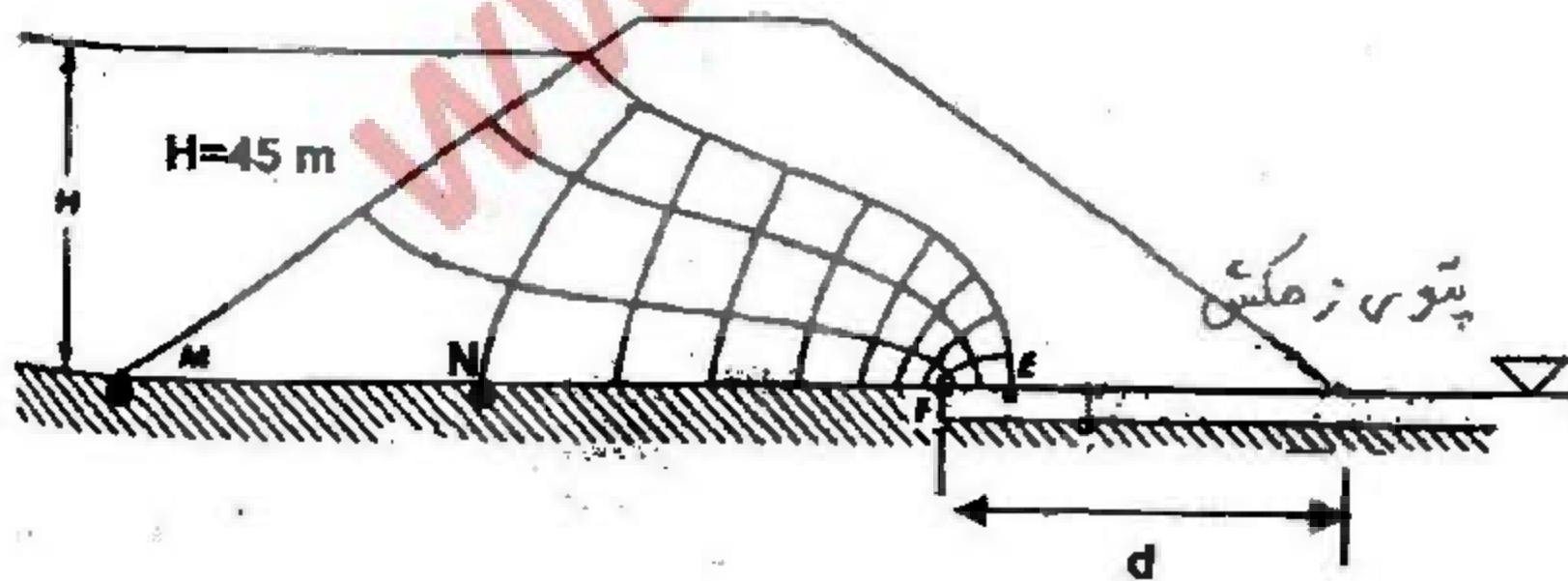


حالت A



حالت B

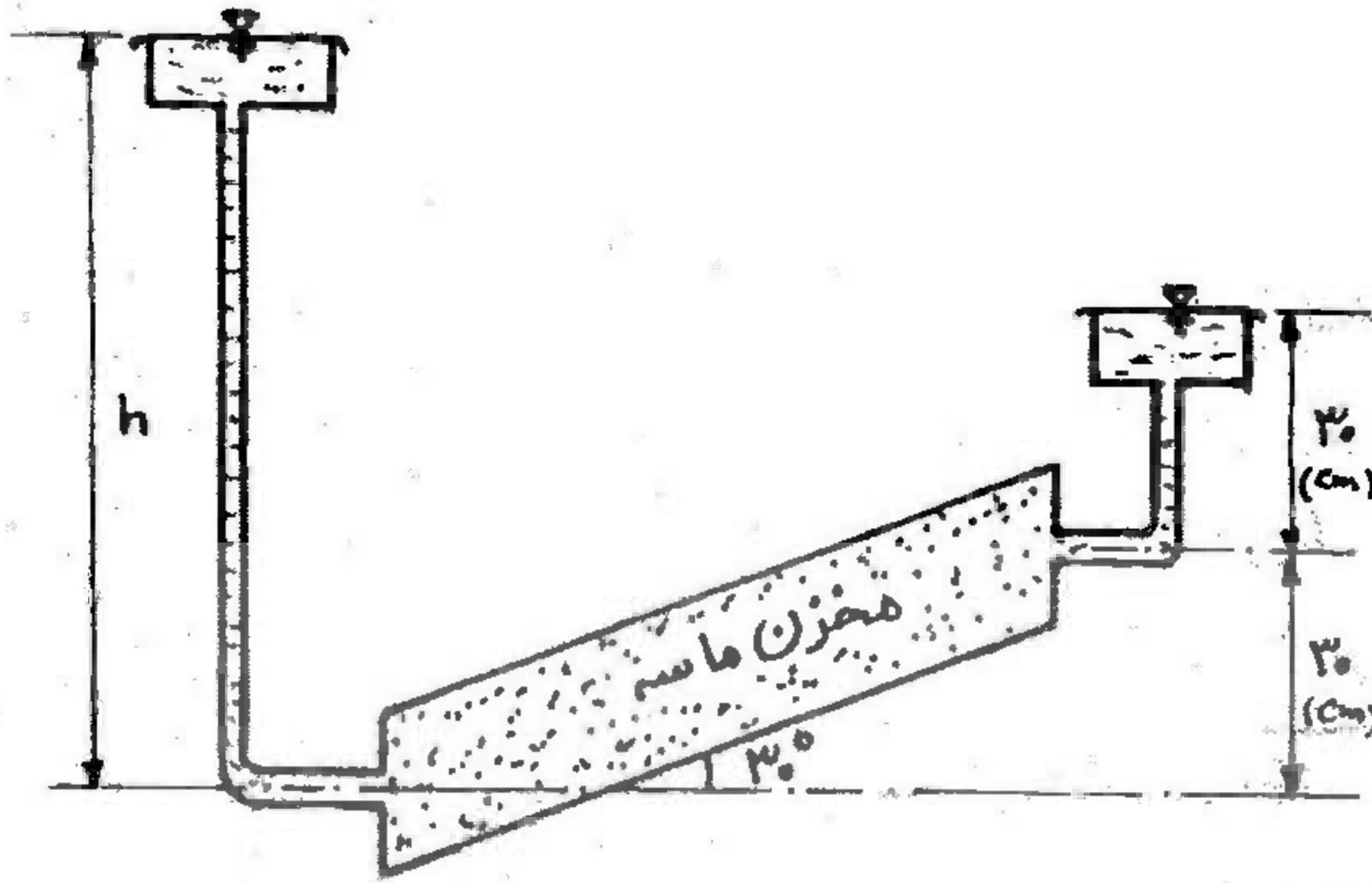
- ۱) با توجه به اینکه ضریب تراکم نمونه‌ها در مسئله داده نشده است نمی‌توان در مورد نسبت، نفوذپذیری آنها اظهار نظر کرد.
- ۲) نفوذپذیری خاک A حدوداً ۲۵ برابر نفوذپذیری خاک B است.
- ۳) نفوذپذیری خاک A حدوداً ۵ برابر نفوذپذیری خاک B است.
- ۴) با توجه به کروی بودن دانه‌ها، حجم فضای خالی در حجم واحد از هر دو نمونه تقریباً برابر است و بنابراین این نفوذپذیری هر دو خاک تقریباً برابر است.
- ۹۷- با توجه به شکل مقابل فشار آب در نقطه N بر حسب  $Kap$  چقدر است و نیز اگر نفوذپذیری مصالح سد همگن افزایش یابد، فشار آب در نقطه N چگونه تغییر خواهد کرد؟ ( $\gamma_w = 10 \frac{kN}{m^3}$ )



- ۱)  $405$ ، افزایش خواهد یافت.
- ۲)  $400$ ، افزایش خواهد یافت.
- ۳)  $405$ ، تغییر نخواهد کرد.
- ۴)  $400$ ، تغییر نخواهد کرد.

۹۸- در مدل مقابل برای اینکه ماسه در داخل مخزن به حالت غوطه‌وری (روانگرایی) درآید، در صورتی که وزن مخصوص اشباع ماسه  $2.7$  (تن بر متر مکعب) باشد، ارتفاع آب در بالا دست ( $h$ ) بر حسب  $cm$  چقدر می‌شود؟

- (۱) ۱۸۶
- (۲) ۱۳۲
- (۳) ۱۲۶
- (۴) ۱۹۲



۹۹- به نظر شما اثر فرسایش لایه‌های آبرفتی یک زمین از جنس شن و ماسه خالص متراکم، چه تاثیری بر ضریب  $k_v$  خاک در اعماق می‌گذارد؟ ( $k_v$  ضریب فشار جانبی خاک است).

بواسطه شیب زیاد به نظر می‌رسد



- (۱) مقدار  $k_v$  افزایش می‌یابد.
- (۲) مقدار  $k_v$  کاهش می‌یابد.
- (۳) مقدار  $k_v$  با توجه به سایر شرایط خاک ممکن است کاهش یا افزایش پیدا کند.
- (۴) با توجه به دانه‌ای بودن کامل خاک فرسایش تاثیری بر مقدار  $k_v$  نمی‌گذارد.

۱۰۰- مسیر تنش بر روی یک نمونه خاک ابتدا با خطی ۴۵ درجه شروع شده و سپس با یک خط افقی ادامه می‌یابد. در خصوص نحوه بارگذاری روی این نمونه کدام مورد، صورت پذیرفته است؟

- (۱) بارگذاری تک محوری و سپس بارگذاری سه محوری با نمو یکسان کرنشهای اصلی
- (۲) بارگذاری سه محوری با نمو یکسان فشارهای اصلی و سپس بارگذاری تک محوری
- (۳) بارگذاری تک محوری و سپس بارگذاری سه محوری با نمو یکسان فشارهای اصلی
- (۴) بارگذاری سه محوری با نمو یکسان کرنشهای اصلی و سپس بارگذاری تک محوری

۱۰۱- بر روی یک پی دایره‌ای شکل به شعاع ۱ متر بار گسترده  $q_0 = 3/2$  (کیلوگرم بر سانتی‌متر مربع) وارد می‌شود. تعیین نمائید در نقطه‌ای در

امتداد محیط این پی و در عمق ۲ متری و بر حسب  $\frac{kg}{cm^2}$  چه مقدار فشار وارد می‌شود؟

- (۱) ۰/۵۰
- (۲) ۰/۸۰
- (۳) ۱/۶
- (۴) ۰/۳۵

۱۰۲- بر روی یک نمونه‌ای از خاک ماسه‌ای با زاویه اصطکاک  $30^\circ$ ، فشار قائم ۳ کیلوگرم بر سانتی‌متر مربع وارد می‌شود. حداکثر فشار افقی قابل

اعمال بر این نمونه (بر حسب  $\frac{kg}{cm^2}$ ) و نیز زاویه صفحه شکست با افق در این حالت (بر حسب درجه) به ترتیب کدام است؟

- (۱) ۱ و  $30^\circ$
- (۲) ۹ و  $60^\circ$
- (۳) ۹ و  $30^\circ$
- (۴) ۱ و  $60^\circ$

۱۰۳- در یک آزمایش سه محوری در یکی از مراحل کنترل ضریب اشباع (B) خاک قبل از مرحله تحکیم، بلافاصله پس از یک مرحله افزایش فشار همه جانبه، ضریب اشباع کمی بیشتر از ۱ بدست آمده است. کدام عبارت صحیح است؟ (تمام سیستم‌های اندازه‌گیری فشار، کنترل شده‌اند و درست کار می‌کنند)

(۱) حتماً در انجام محاسبات اشتباه شده و این موضوع غیرممکن است.

(۲) در این مرحله از افزایش فشار غشاء نمونه سوراخ شده است.

(۳) وجود حباب‌های هوا عامل این موضوع است.

(۴) بافت خاک مورد آزمایش به نوعی است که باعث رخداد این موضوع شده و می‌توان آزمایش را باروند معمول ادامه داد.

۱۰۴- یک سد خاکی در منطقه‌ای زلزله‌خیز اجرا شده است. اگر ۱۰ سال بعد از بهره‌برداری احتمال وقوع زلزله طراحی برود، به منظور بررسی پایداری شیروانی‌های این سد خاکی پارامترهای مقاومت برشی براساس نتایج کدام آزمایش، باید مورد استفاده قرار گیرد؟

(۱) آزمایش سه محوری تحکیم نیافته - زهکشی نشده (UU) (۲) آزمایش سه محوری تحکیم یافته - زهکشی شده (CD)

(۳) آزمایش سه محوری تحکیم یافته - زهکشی نشده (CU) (۴) آزمایش سه محوری معمولی بر روی نمونه‌های غیراشباع

۱۰۵- در هنگام آزمایش تحکیم (oedometer) بر روی نمونه‌ای از رس اشباع تنش کل افقی نمونه ( $\sigma_h$ ) با توجه به تنش کل قائم آن ( $\sigma_v$ ) و فشار آب حفره‌ای (u) از کدام رابطه، محاسبه می‌شود؟ ( $\sigma_v'$  تنش موثر قائم می‌باشد).

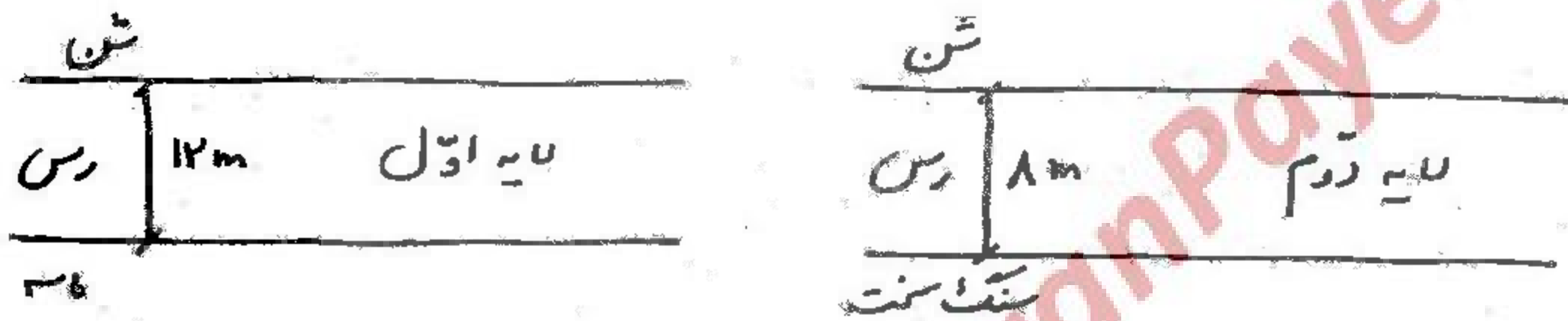
(۱)  $\sigma_h = k_o \sigma_v' + u$  (۲)  $\sigma_h = k_a \sigma_v$  (۳)  $\sigma_h = k_a \sigma_v' + u$  (۴)  $\sigma_h = k_o \sigma_v$

۱۰۶- روی مصالح ریزدانه‌ای با  $G_s = 2.5$  آزمایش اودومتري (تحکیم) انجام شده است. در پایان آزمایش رطوبت نمونه  $w = 20\%$  و تغییر طول نسبی آن نیز  $20\%$  بدست آمده‌اند ضریب تخلخل اولیه نمونه  $e_o$  چقدر است؟

(۱) ۰/۷۷ (۲) ۰/۶۶ (۳) ۰/۵۵ (۴) ۰/۸۸

۱۰۷- دو لایه از یک نوع خاک رس اشباع با مشخصات مقابل موجود است. چنانچه تحت شرایطی لایه اول ۲۰ درصد از نشست تحکیم خود را در ۵ سال انجام دهد، معین کنید تحت همان شرایط ۳۰ درصد از نشست تحکیم در لایه دوم چند سال بعد اتفاق خواهد افتاد؟

- (۱) ۱۵
- (۲) ۱۰
- (۳) ۵
- (۴) ۲۰



۱۰۸- سپر فلزی در خاک ماسه‌ای با زاویه اصطکاک داخلی  $\phi = 30^\circ$  قرار دارد. چنانچه پس از مدتی، ارتفاع خاک ۳۰٪ افزایش یابد، نیروی رانش جانبی خاک چند درصد افزایش خواهد یافت؟ (وزن مخصوص خاک  $\gamma = 20 \frac{kN}{m^3}$ )

(۱) ۳۰ (۲) ۵۰ (۳) ۶۹ (۴) ۹

۱۰۹- نمونه بازسازی شده از مصالح یک شیروانی ماسه‌ای با شیب ۲۰ درجه در آزمایش برش مستقیم تحت فشار قائم  $2 \frac{kg}{cm^2}$  و فشار افقی  $2/4$

$(\frac{kg}{cm^2})$  گسیخته شده است. براساس آزمایشات دیگر توده ویژه ( $G_s$ ) این مصالح  $2/6$  و تخلخل آنها  $0/6$  بدست آمده است. اگر در اثر

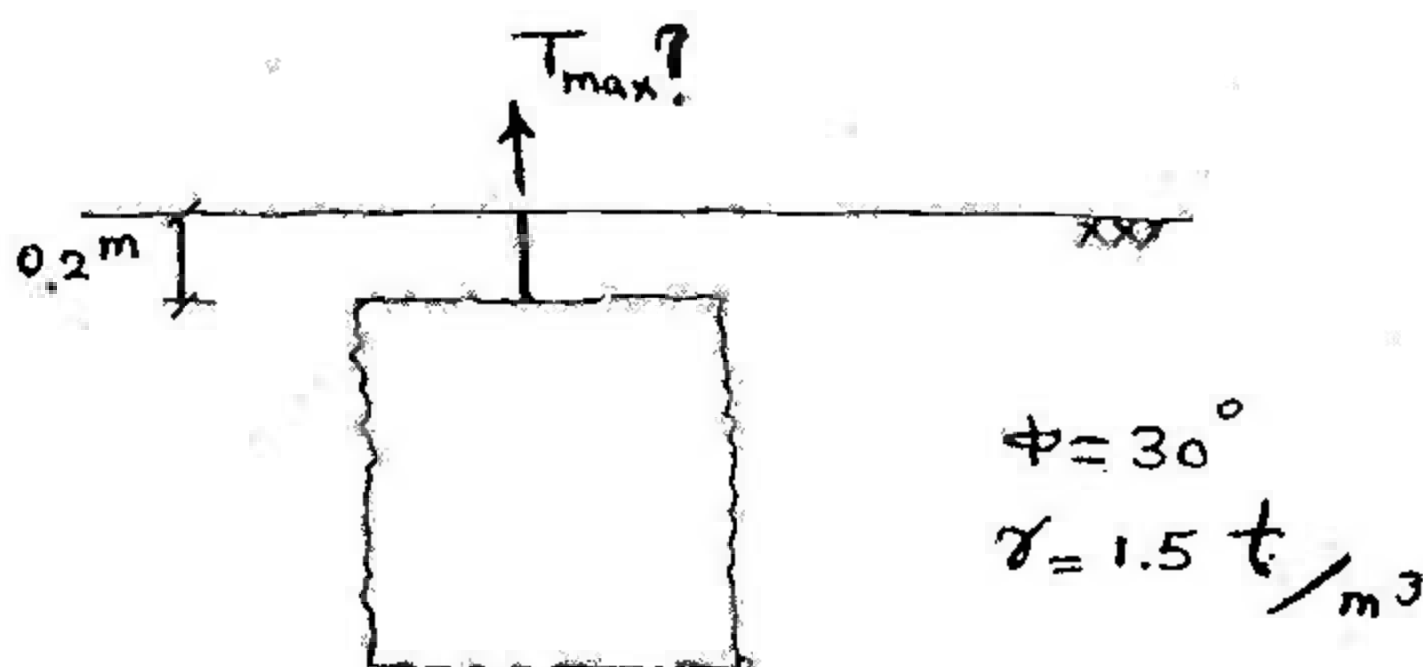
بارندگی طولانی مدت این شیروانی کاملاً اشباع شود، ضریب اطمینان آن در برابر ناپایداری چقدر خواهد بود؟

(۱) ۱/۲۰ (۲) ۱/۱۵ (۳) ۱/۱۰ (۴) ۱/۲۵

۱۱۰- برای بیرون کشیدن یک بلوک بتنی با سطوح ناصاف به ابعاد  $1 \times 1 \times 1m$  از داخل خاک ماسه‌ای خشک با ضریب اصطکاک  $\phi = 30^\circ$  (مطابق

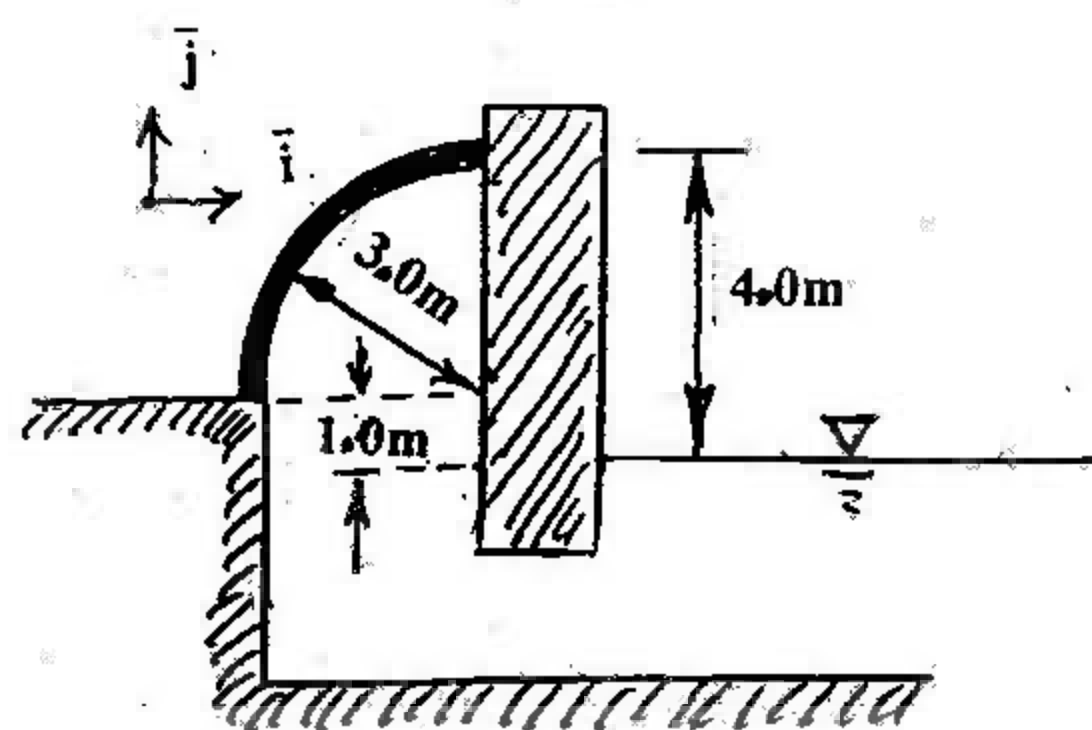
شکل) بر حسب تن حداکثر چقدر نیرو، لازم است؟ (وزن مخصوص خاک  $1/5 \frac{t}{m^3}$  و وزن مخصوص بتن  $2/5 \frac{t}{m^3}$  است). ( $\tan 30^\circ = 0/58$ )

- (۱) ۴/۰۵
- (۲) ۷/۱۵
- (۳) ۱۰/۳۰
- (۴) ۳/۶۳



۱۱۱- سطح منحنی فلزی نشان داده شده در شکل روبه‌رو در نظر گرفته می‌شود. حجم زیرین این سطح کلاً از سیال پر شده است. بردار نیروهای وارد

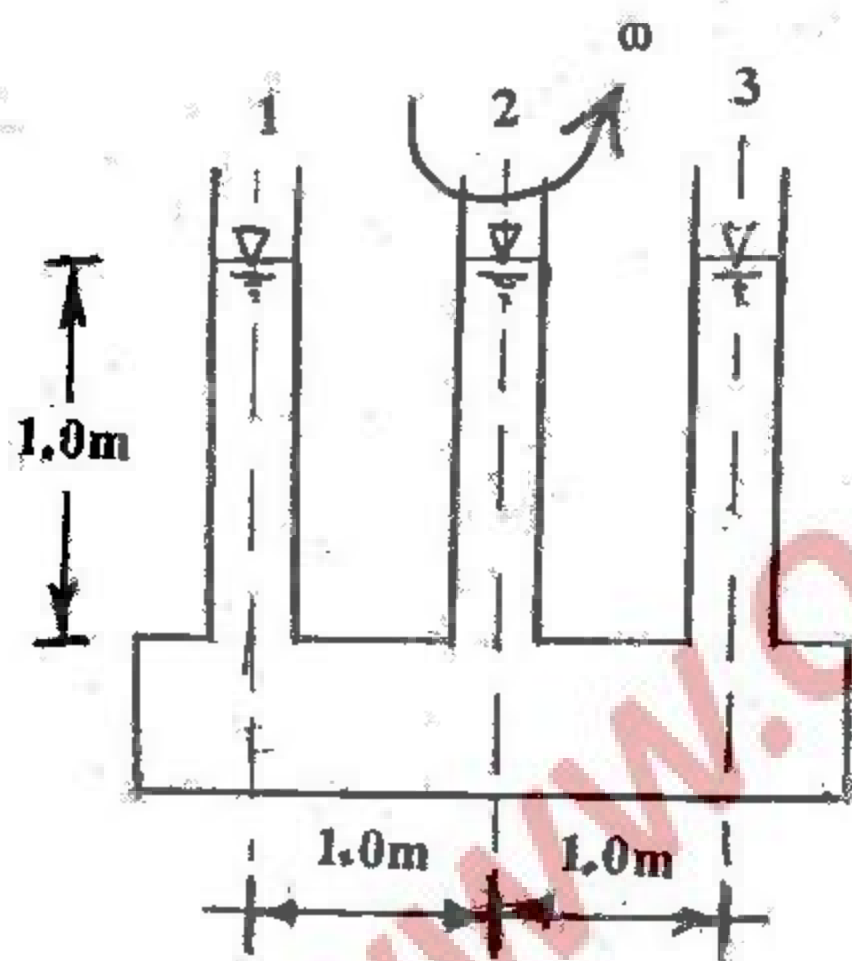
بر سطح در واحد عرض بر حسب کیلونیوتن چقدر است؟  $(g = 10 \frac{m}{s^2}, \pi = 3, \gamma = 10000 \frac{N}{m^3})$



- (۱)  $-97/5 \hat{j}$
- (۲)  $97/5 \hat{i} + 75 \hat{j}$
- (۳)  $-75 \hat{i} - 97/5 \hat{j}$
- (۴)  $75 \hat{i} - 97/5 \hat{j}$

۱۱۲- یک مخزن به صورت افقی قرار دارد و حاوی سیال است. سه لوله قائم ۱، ۲ و ۳ به ترتیب با شعاع‌های  $a$ ،  $2a$  و  $a$  همانند شکل به آن متصل شده

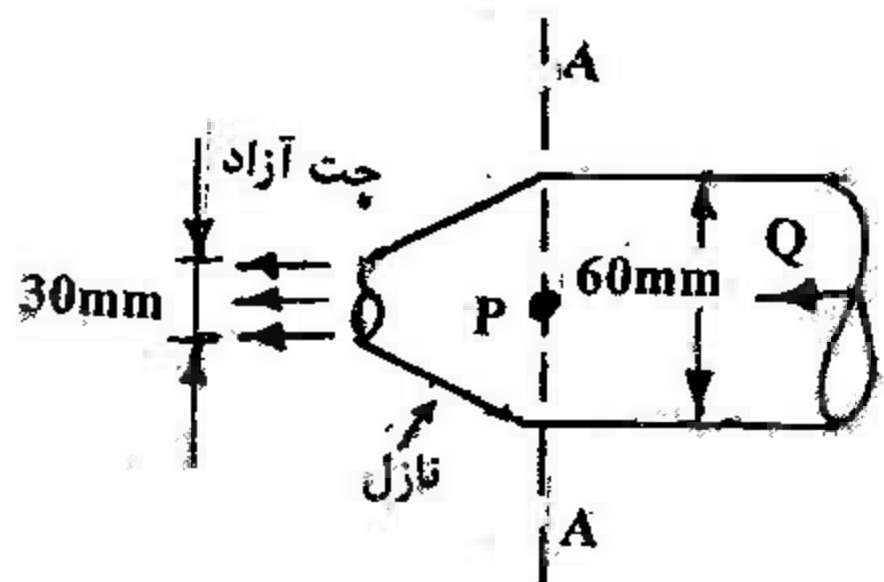
است و تا ارتفاع یک متر از سیال پر شده‌اند. مجموعه با سرعت زاویه‌ای ثابت  $\omega = 1 \frac{rad}{s}$  حول محور مرکزی لوله ۲ در حال چرخش است. اگر اثرات کشش سطحی صرف‌نظر شود، سطح سیال در لوله‌ی ۲ نسبت به حالت سکون چقدر پایین می‌آید؟ ( $a$  کوچک است.)



- (۱)  $\frac{1}{2g}$
- (۲)  $\frac{1}{3g}$
- (۳)  $\frac{1}{6g}$
- (۴)  $\frac{1}{4g}$

۱۱۳- جریان آب با چگالی  $\rho = 1000 \frac{kg}{m^3}$  از طریق نازل شکل روبه‌رو به صورت جت آزاد خارج می‌شود. اگر نیروی وارد بر نازل  $8100 N$  باشد؛

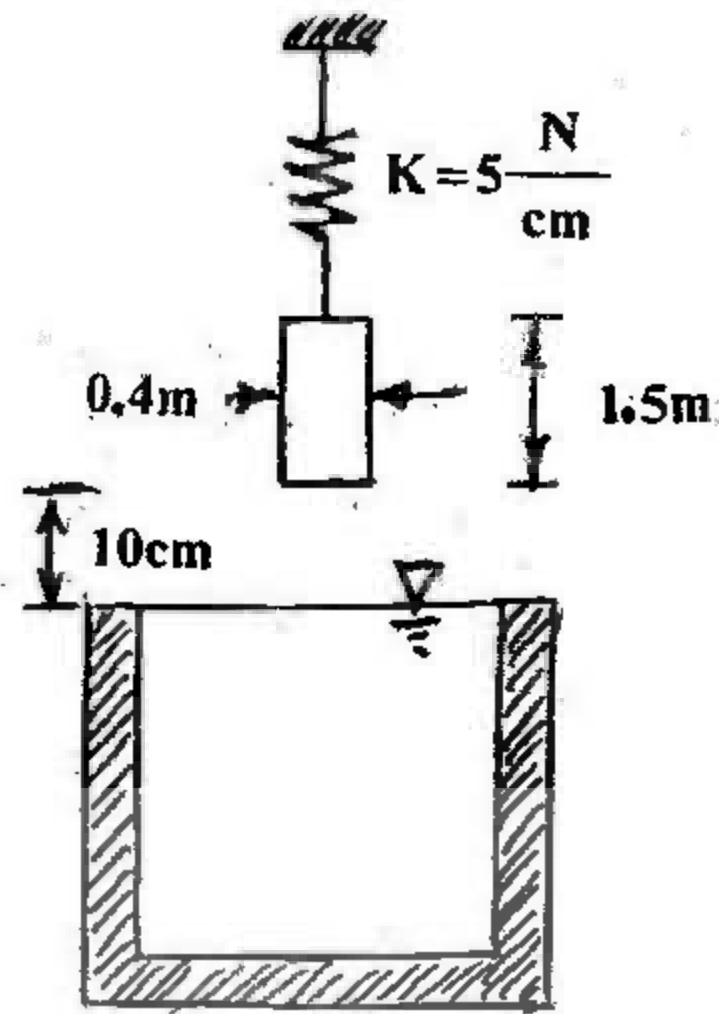
مقدار فشار در مقطع قبل از نازل (مقطع AA) بر حسب  $(\frac{N}{m^2})$  چقدر است؟



- (۱)  $\frac{9 \times 10^6}{\pi}$
- (۲)  $\frac{15 \times 10^6}{2\pi}$
- (۳)  $\frac{9 \times 10^6}{2\pi}$
- (۴)  $\frac{15 \times 10^6}{\pi}$

۱۱۴- استوانه‌ای به قطر ۰/۴ m و وزن ۵۰۰ N در فاصله ۱۰ cm از یک ظرف لبریز از سیال نگه داشته شده و به آرامی رها می‌شود. این استوانه

چند متر در سیال فرو می‌رود؟  $\gamma_{\text{سیال}} = 10000 \frac{N}{m^3}$



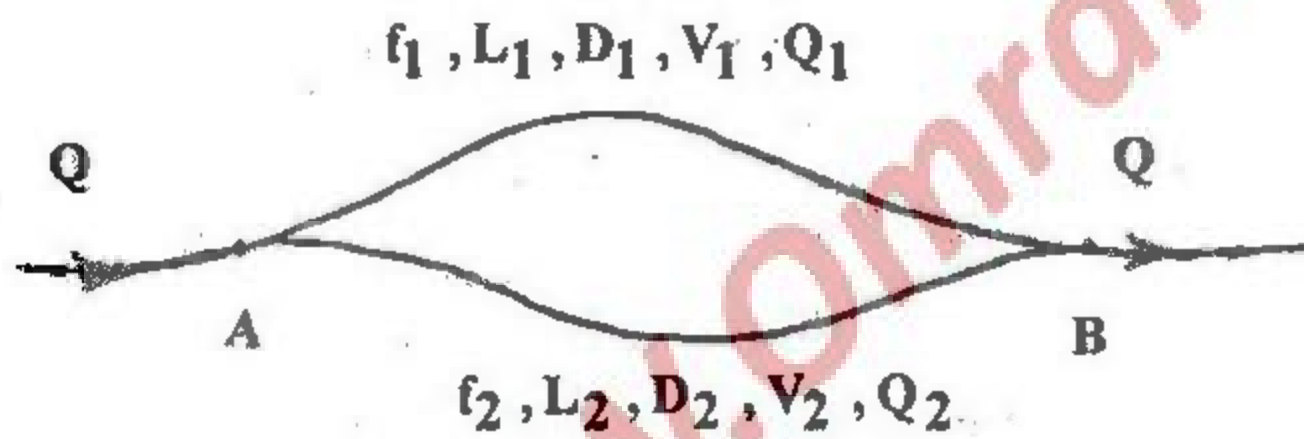
- (۱)  $\frac{4/5}{4\pi - 0/05}$
- (۲)  $\frac{4/5}{4\pi + 0/5}$
- (۳)  $\frac{4/5}{5\pi - 4}$
- (۴)  $\frac{4/5}{4\pi + 5}$

۱۱۵- جریان سیلاب در حال فروکش کردن در مسیر پیچانرودی (مسیرهای پیچ و خم‌دار) از یک رودخانه دارای کدام ویژگی می‌باشد؟

- (۱) جریان ناپایدار - غیریکنواخت - آشفته
- (۲) جریان پایدار - غیریکنواخت - آرام
- (۳) جریان ناپایدار - یکنواخت - آرام
- (۴) جریان پایدار - یکنواخت - آشفته

۱۱۶- دو لوله موازی مطابق شکل برای انتقال آب استفاده می‌شوند. مشخصات هر کدام در کنار لوله نوشته شده است. کل اتلاف انرژی بین نقاط A و B

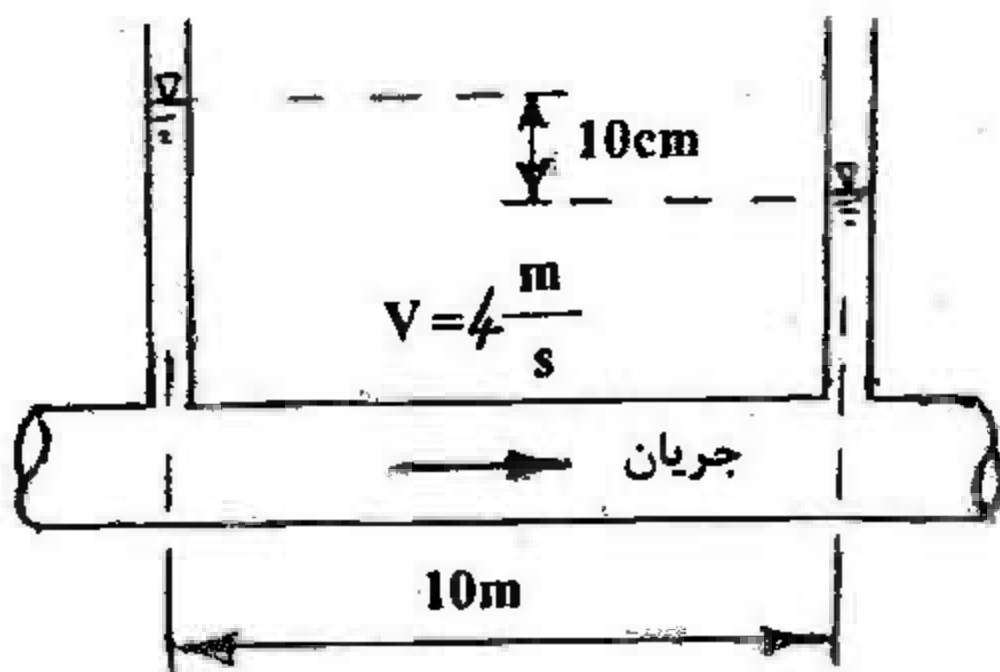
در واحد زمان بر حسب ژول چقدر است؟ ( $\gamma$  وزن حجمی سیال)



- (۱)  $\gamma Q_1 \left( \frac{f_1 L_1}{D_1} \frac{V_1^2}{2g} + \frac{f_2 L_2}{D_2} \frac{V_2^2}{2g} \right)$
- (۲)  $\gamma Q \left( \frac{f_1 L_1}{D_1} \frac{V_1^2}{2g} + \frac{f_2 L_2}{D_2} \frac{V_2^2}{2g} \right)$
- (۳)  $\gamma Q \left( \frac{f_1 L_1}{D_1} \frac{V_1^2}{2g} \right)$
- (۴)  $\gamma Q_1 \left( \frac{f_1 L_1}{D_1} \frac{V_1^2}{2g} \right)$

۱۱۷- جریان سیال با سرعت ثابت  $4/0 \frac{m}{s}$  در یک لوله افقی به قطر ۰/۲ m در حرکت است. اگر مطابق شکل تراز سطح سیال در دو پیزومتري که به

فاصله‌ی ۱۰ m نصب شده‌اند، اختلاف داشته باشد، تنش برش در جداره‌ی داخلی لوله چقدر است؟ ( $\gamma$  وزن حجمی سیال)

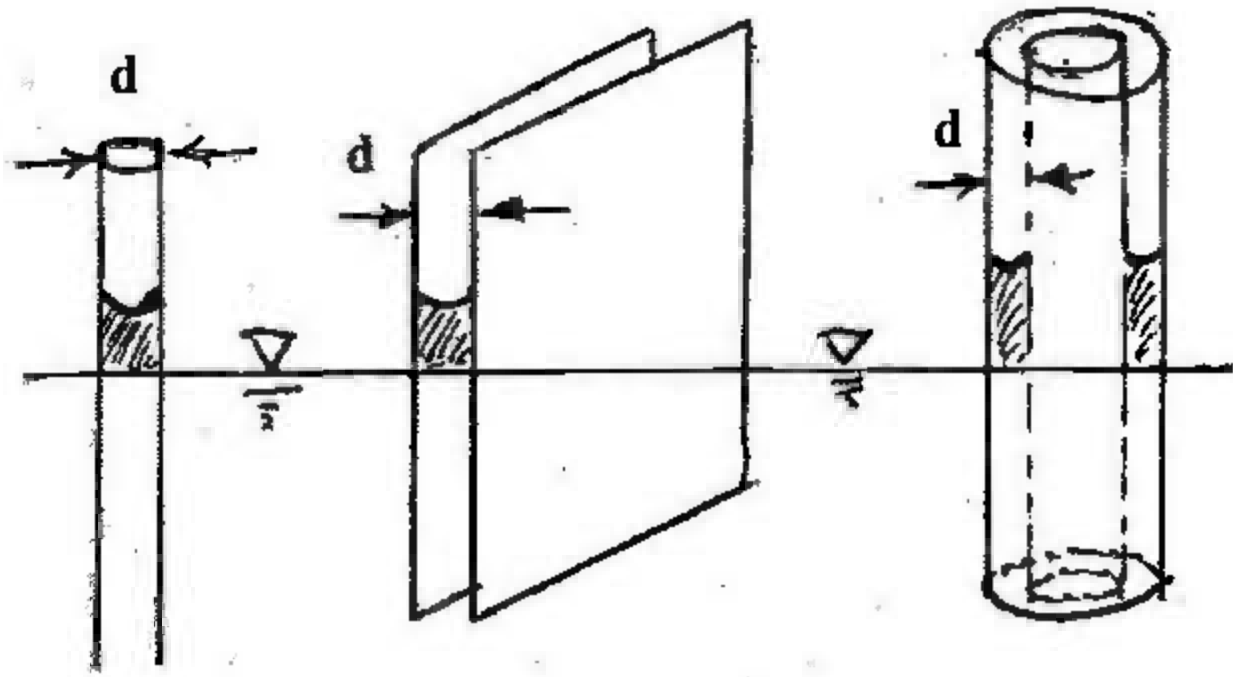


- (۱)  $\frac{\gamma}{1000}$
- (۲)  $\frac{\gamma}{2000}$
- (۳)  $\frac{\gamma}{4000}$
- (۴)  $\frac{3\gamma}{2000}$

۱۱۸- در مورد رابطه‌ی  $\frac{\partial}{\partial x}(\rho u) + \frac{\partial}{\partial x}(\rho v) + \frac{\partial}{\partial z}(\rho w) = 0$  کدام عبارت صحیح می‌باشد؟

- (۱) برای جریان پایدار و سیال تراکم‌پذیر و تراکم‌ناپذیر صادق است.
- (۲) برای جریان پایدار و فقط سیال تراکم‌پذیر صادق است.
- (۳) برای جریان پایدار و فقط سیال تراکم‌ناپذیر صادق است.
- (۴) برای جریان ناپایدار و سیال تراکم‌ناپذیر صادق است.

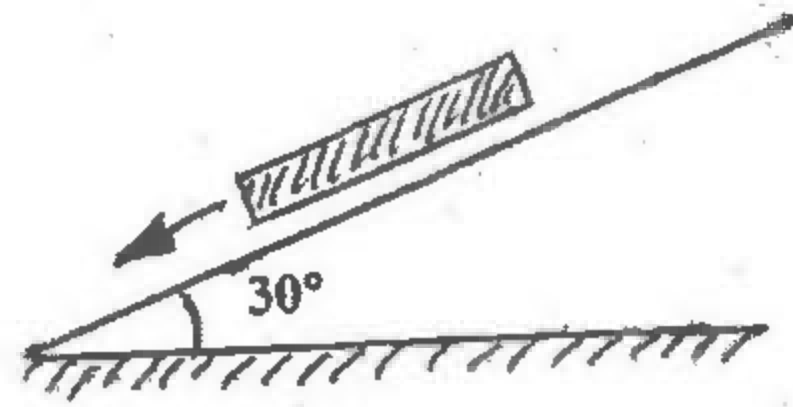
۱۱۹- در کدام یک از سه حالت، در شرایط یکسان و با فاصله‌ی یکسان دو جداره، میزان بالا آمدگی سیال تحت اثر کشش سطحی بیشتر است؟



- (۱) لوله‌ی باریک به قطر  $d$
- (۲) دو صفحه‌ی موازی به فاصله‌ی  $d$  از هم
- (۳) در هر سه حالت ارتفاع بالا آمدگی یکسان است.
- (۴) دو لوله‌ی متحدالمرکز به فاصله‌ی  $d$  از هم

۱۲۰- صفحه‌ای به جرم  $2 \text{ kg}$  و ابعاد یک متر در یک متر بر روی سطح شیب‌داری با زاویه‌ی  $30^\circ$  با امتداد افق به سمت پایین و با سرعت  $2 \frac{\text{cm}}{\text{sec}}$  در

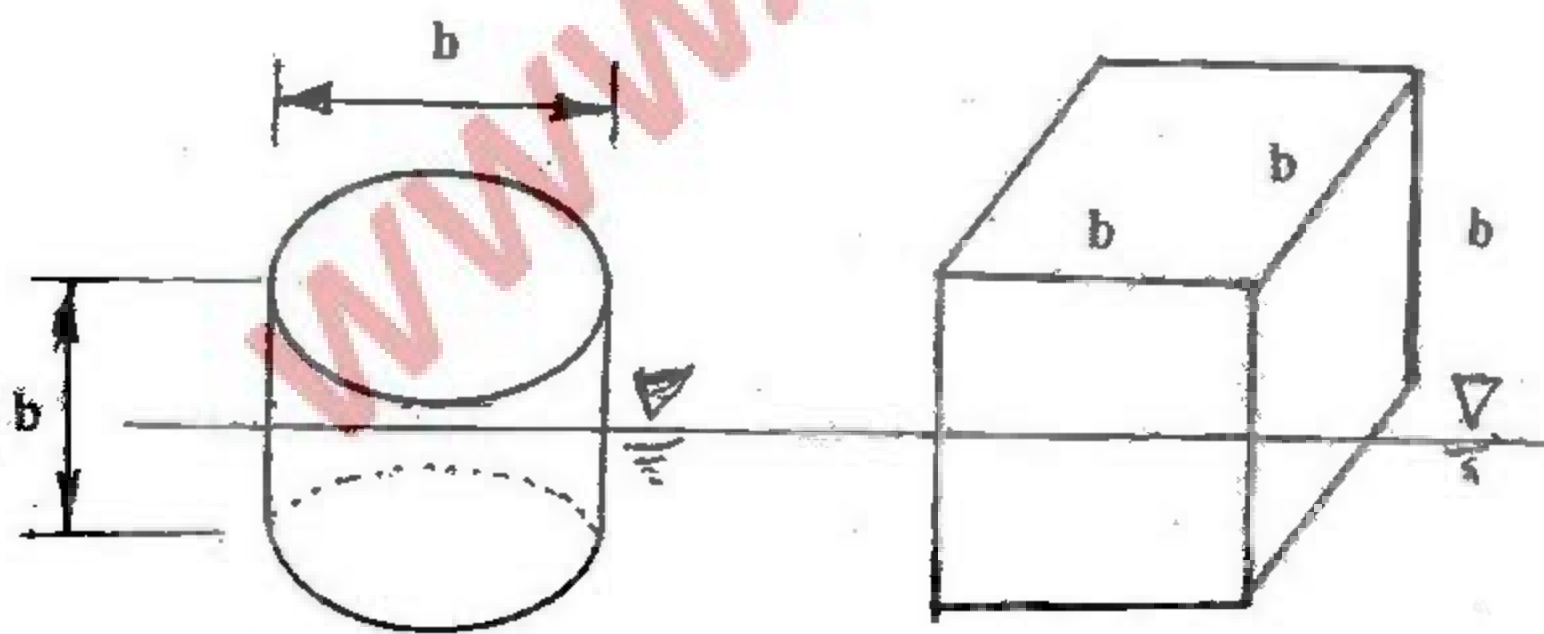
حال حرکت است. صفحه توسط روغنی با  $\mu = 0.06 \frac{\text{N}\cdot\text{s}}{\text{m}^2}$  از سطح جدا شده است. با صرف‌نظر کردن از اثرات لبه و اصطکاک هوا، فاصله‌ی صفحه، از سطح شیب‌دار بر حسب  $\text{mm}$  چقدر است؟ ( $g = 10 \frac{\text{m}}{\text{s}^2}$ )



- (۱)  $0.012$
- (۲)  $0.04\sqrt{3}$
- (۳)  $0.4\sqrt{3}$
- (۴)  $0.12$

۱۲۱- مکعبی به ابعاد  $b$  و استوانه‌ای به ارتفاع  $b$  و قطر  $b$  مانند شکل، در روی آب شناور هستند. در صورتی که ماده‌ی تشکیل‌دهنده هر دو شناور یکی باشد، کدام شرط در مورد چگالی نسبی ( $s$ )، جهت تعادل پایدار چرخشی در هر دو حالت صحیح است؟

( $I = \frac{\pi D^4}{64}$  ممان اینرسی مقطع دایره به قطر  $D$ )



- (۱)  $s(1-s) > \frac{1}{6}$
- (۲)  $s(1-s) > \frac{1}{8}$
- (۳)  $s(1-s) < \frac{1}{8}$
- (۴)  $s(1-s) < \frac{1}{6}$

۱۲۲- معادله جریان دو بعدی غیرماندگاری به صورت  $v = y$ ،  $u = x(1+2t)$  داده شده است. معادله خط مسیر ذره‌ای که در زمان شروع ( $t = 0$ ) در مکان  $(x = 1, y = 1)$  قرار دارد، کدام است؟

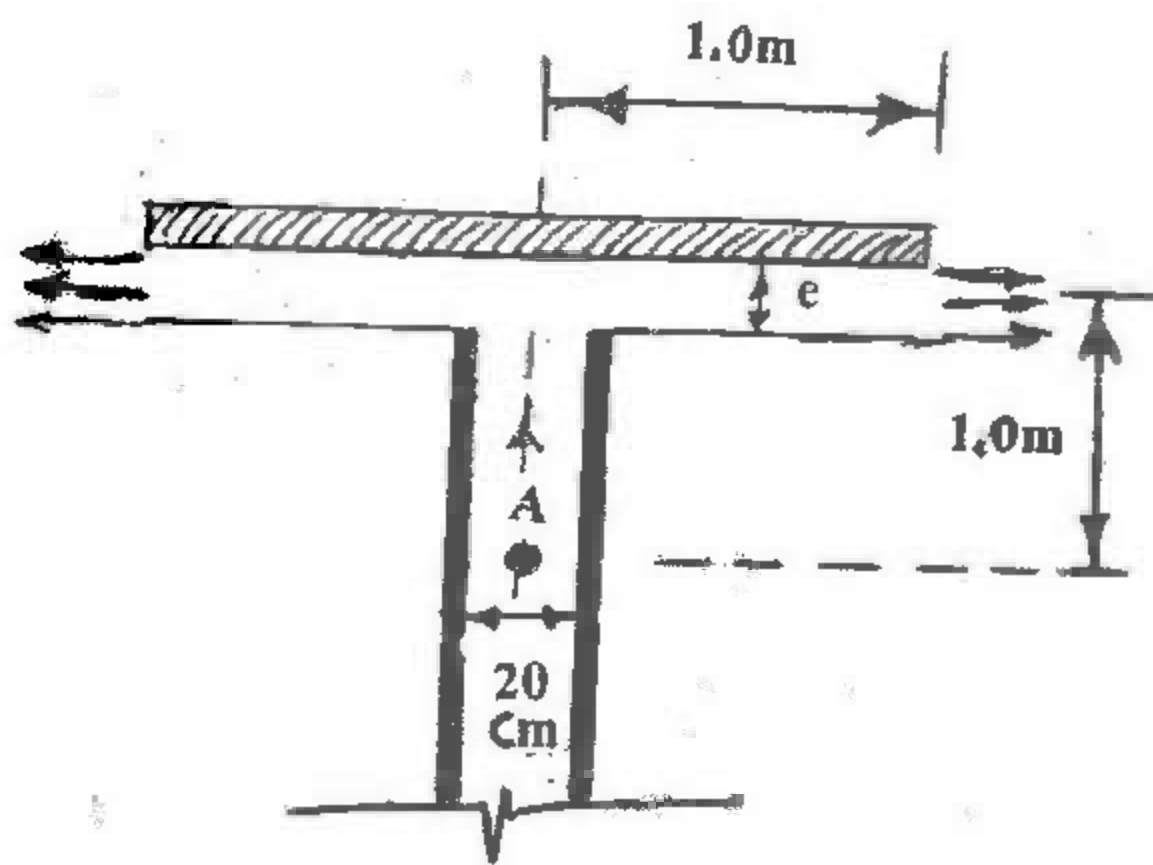
- (۱)  $x = e^{\ln y(1+\ln y)}$
- (۲)  $y = x^{\frac{1}{1+2t}}$
- (۳)  $x = y^{\frac{1}{1+2t}}$
- (۴)  $y = e^{\ln x(1+\ln x)}$



۱۲۳- در پدیده‌ی جریان سیالی، هم نیروهای لزجی و هم نیروهای ثقلی غالب بوده و در مدل آزمایشگاهی اثر هر دو نیرو مد نظر است. در صورتی که سیالی که در مدل آزمایشگاهی به کار برده می‌شود دارای لزجت سینماتیکی  $\frac{1}{8}$  برابر سیال در نمونه‌ی اصلی باشد، مقیاس هندسی مدل نسبت به نمونه اصلی چقدر می‌تواند باشد؟

(۱)  $\frac{1}{2}$       (۲)  $\frac{1}{4}$       (۳)  $\left(\frac{1}{8}\right)^{\frac{2}{3}}$       (۴)  $\frac{1}{8}$

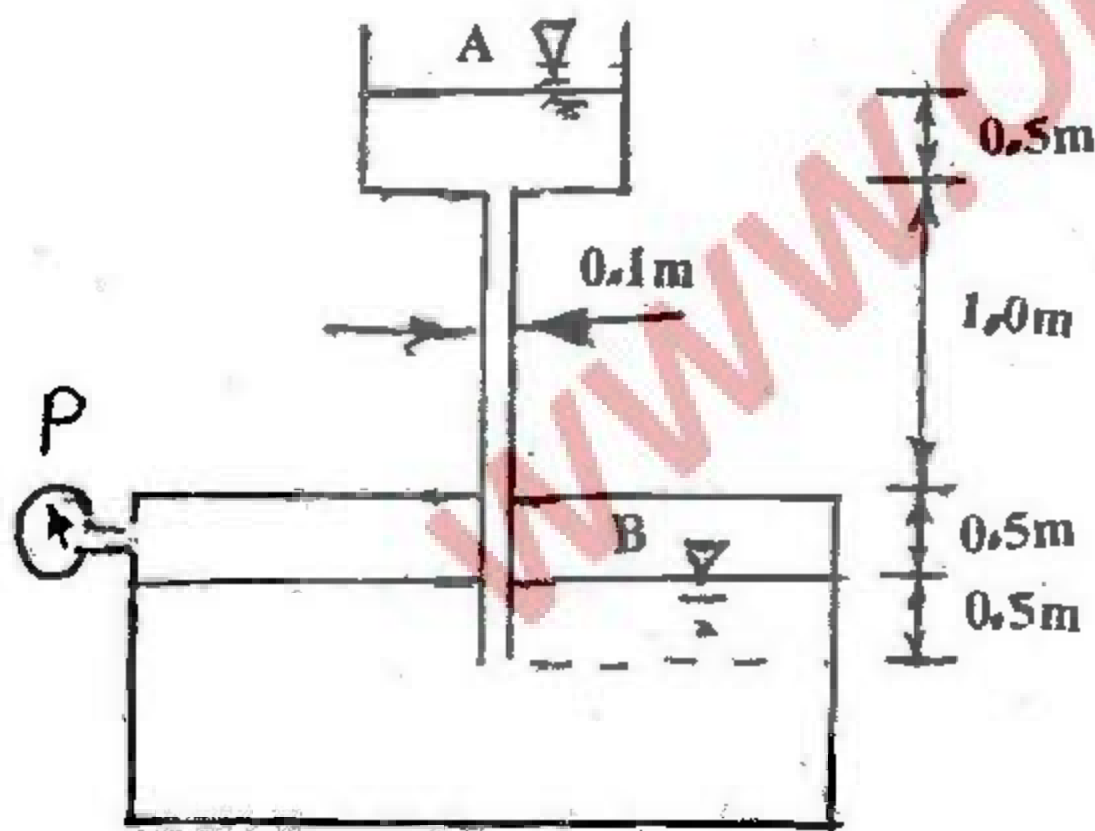
۱۲۴- جریان دائمی در لوله‌ای به قطر ۲۰ سانتی‌متر مطابق شکل مقابل برقرار است. در انتهای لوله یک صفحه دایره‌ای شکل به وزن  $90\pi$  نیوتن قرار داده شده است که جریان پس از رسیدن به آن به صورت شعاعی خارج می‌گردد. در صورتی که فشار در نقطه A برابر  $13/5 \text{ KPa}$  باشد با صرفنظر کردن از کلیه افقها، و همچنین با فرض اینکه در فضای بین لوله و صفحه در جریان شعاعی فقط سیال وجود دارد، فاصله صفحه فوقانی با لبه انتهایی لوله (e) بر حسب mm چقدر است؟ (ضخامت جریان در جهت شعاعی ثابت فرض می‌شود).



$\left( \gamma = 100000 \frac{\text{N}}{\text{m}^3}, g = 10 \frac{\text{m}}{\text{s}^2} \right)$

- (۱) ۲۱۸۱۲۵
- (۲) ۳۱۷۵
- (۳) ۷۱۵
- (۴) ۶۱۶۷

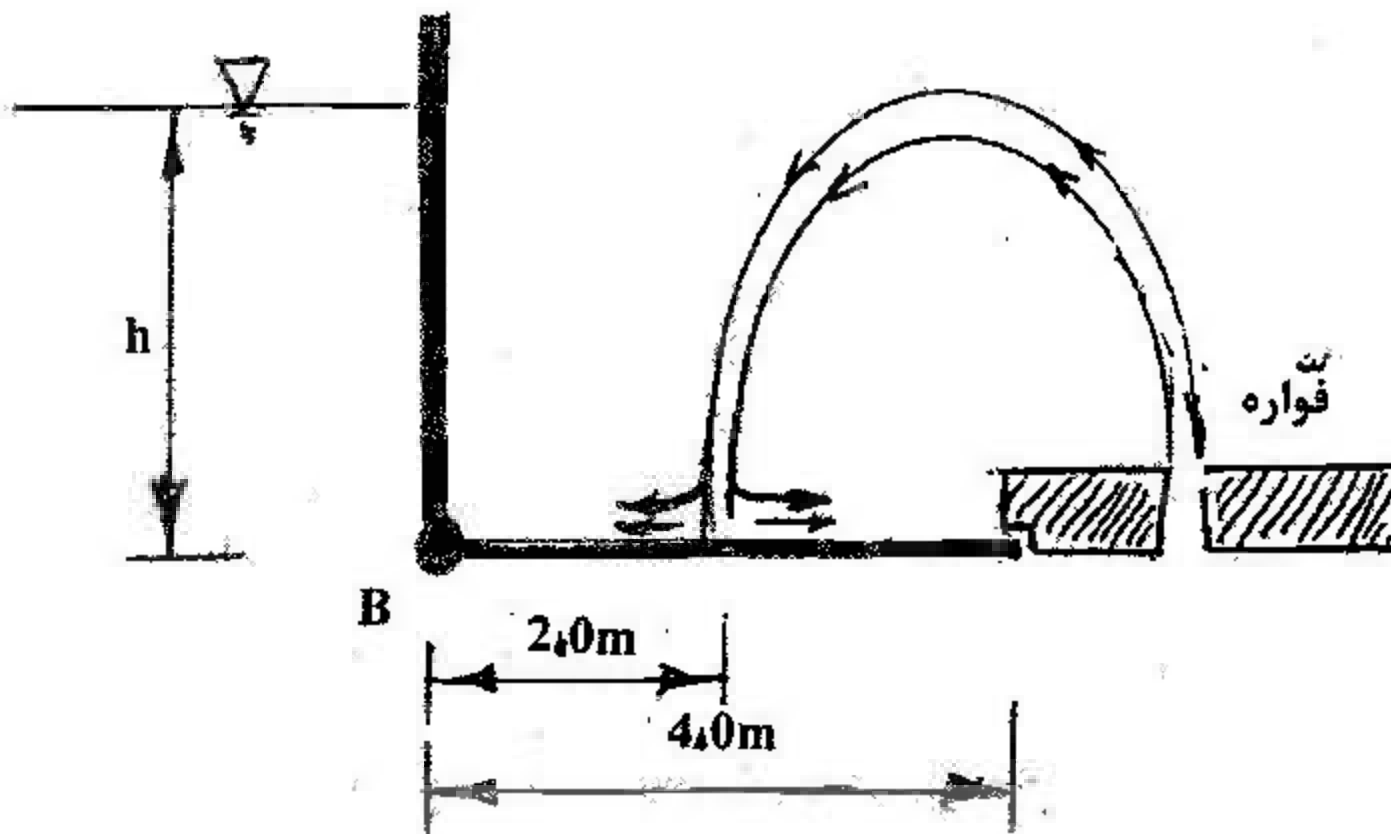
۱۲۵- مخازن بسیار عریض A و B در شکل مقابل نشان داده شده است. در صورتی که فشار گیج در مخزن B برابر  $276 \text{ KPa}$  بوده و لزجت دینامیکی سیال برابر  $\pi$  پاسکال ثانیه باشد. مقدار دبی انتقالی بین دو مخزن بر حسب لیتر در ثانیه چقدر است؟ (از افت‌های موضعی صرفنظر شود).



$\left( \gamma = 100000 \frac{\text{N}}{\text{m}^3}, g = 10 \frac{\text{m}}{\text{s}^2} \right)$

- (۱) ۵۰
- (۲) ۱۰۰
- (۳) ۱۰۰۰
- (۴) ۲۰۰

۱۲۶- در شکل روبه‌رو دریچه‌ای L شکل وجود دارد که در محل B لولا شده است. سطح مقطع فواره ثابت بوده و مقدار آن در واحد عرض ۰/۵ متر مربع است. با توجه به مقادیری که در شکل داده شده است حداقل ارتفاع h جهت باز شدن دریچه چند متر است؟ (از افت فشار صرفنظر می‌شود). (فواره به صورت عمودی بر دریچه برخورد می‌نماید).



- (۱) ۶
- (۲)  $\sqrt{12}$
- (۳)  $\sqrt{48}$
- (۴)  $\sqrt{42}$

۱۲۷- شکل داده شده دو سیستم جریان را نشان می‌دهد که در هر دو سیستم، جریان یک سیال تراکم‌پذیر با دبی ثابت Q از راست به چپ برقرار می‌باشد. هر دو سیستم از نظر هندسی کاملاً یکسان می‌باشند و در آنها سطح مقطع لوله در یک فاصله‌ی ثابت از A به ۲A تغییر می‌کند. بر اساس تحلیل یک بعدی و با فرض توزیع یکنواخت سرعت در مقاطع جریان، کدام عبارت در مورد شتاب ذره‌ای که در نقطه‌ی B (در وسط و در امتداد محور لوله) قرار دارد، صادق می‌باشد؟

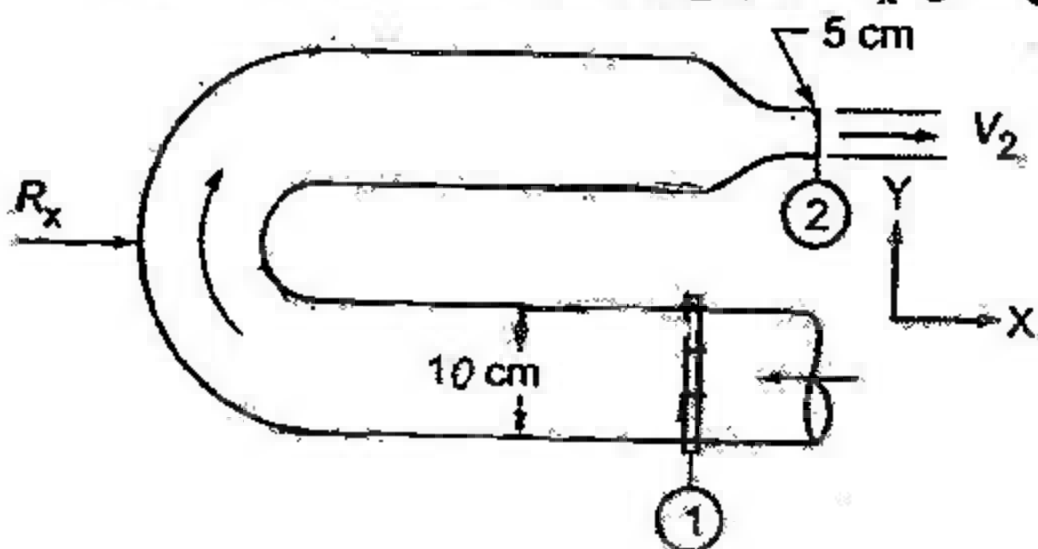


- (۱) هر دو سیستم دارای شتاب تندشونده هستند.
- (۲) شتاب در نقطه‌ی B در هر دو سیستم برابر صفر می‌باشد.
- (۳) شتاب در سیستم شماره یک شتاب کندشونده و در سیستم شماره دو شتاب تندشونده می‌باشد.
- (۴) شتاب در سیستم شماره یک، شتاب تندشونده و در سیستم شماره دو شتاب کندشونده می‌باشد.

۱۲۸- با توجه به دیاگرام مودی کدام عبارات صحیح است؟  
 (۱) ضخامت زیر لایه آرام در ناحیه انتقالی تقریباً برابر ضخامت آن در ناحیه کاملاً آشفته است.  
 (۲) ضخامت زیر لایه آرام در ناحیه انتقالی بیشتر از ضخامت آن در ناحیه کاملاً آشفته است.  
 (۳) هیچکدام  
 (۴) ضخامت زیر لایه آرام در ناحیه انتقالی کمتر از ضخامت آن در ناحیه کاملاً آشفته است.

۱۲۹- در جریان ورقه‌ای در داخل لوله‌ها، تغییرات تنش برشی در اثر لزجت سیال در جهت شعاعی به صورت زیر می‌باشد؟  
 (۱) به صورت سهمی و صفر در محور لوله  
 (۲) به صورت خطی و صفر در روی جدار  
 (۳) به صورت خطی و صفر در محور لوله  
 (۴) به صورت سهمی و صفر در روی جدار

۱۳۰- جریان آب با دبی  $\frac{m^3}{s} \pi \cdot 0.05$  در یک لوله زانویی واقع در یک سطح افقی توسط یک نازل به قطر  $d_1 = 5 \text{ cm}$  به اتمسفر تخلیه می‌شود. در صورتی که قطر لوله  $d_2 = 10 \text{ cm}$  بوده و از افت انرژی صرفنظر شود، مقدار نیروی عکس‌العمل  $R_x$  زانویی وارد بر جریان مایع چند کیلو نیوتن (kN) خواهد شد؟ ( $\rho = 10^3 \frac{kg}{m^3}$ ,  $g = 10 \frac{m}{s^2}$ )



( $\rho = 10^3 \frac{kg}{m^3}$ ,  $g = 10 \frac{m}{s^2}$ )

- (۱)  $2/5 \pi$
- (۲)  $7/5 \pi$
- (۳)  $12/5 \pi$
- (۴)  $10/5 \pi$